

MATERIAL & FINISH:

- 1 BODY: STAINLESS STEEL, PASSIVATED
- 2 CENTER CONTACT: BRASS, GOLD PLATED
- 3 INSULATOR: PTFE
- 4 EMI GASKET: CONDUCTIVE ELASTOMER
- 5 EPOXY: BISPHENOL A EPOXY RESINS

ENVIRONMENTAL DATA:

- 1 TEMPERATURE RANGE: -55°C~+125°C
- 2 THERMAL SHOCK:
MIL-STD-202, METHOD 107, TEST COND. A.
MOISTURE RESISTANCE:
MIL-STD-202, METHOD 106. INSULATION
5 MINUTES AFTER REMOVAL FROM HUMIDITY.
CORROSION:
MIL-STD-202, METHOD 101, TEST COND. B.
VIBRATION:
MIL-STD-202, METHOD 204, TEST COND. D.
SHOCK:
MIL-STD-202, METHOD 213, TEST COND. I
- 3 2011/65/EU(RoHS) AND 2015/863/(RoHS): COMPLIANT
- 4 1907/2006/EC(REACH): COMPLIANT

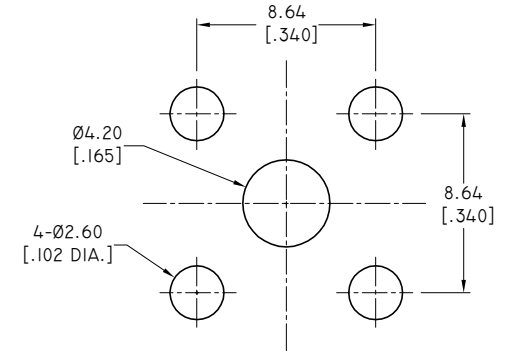
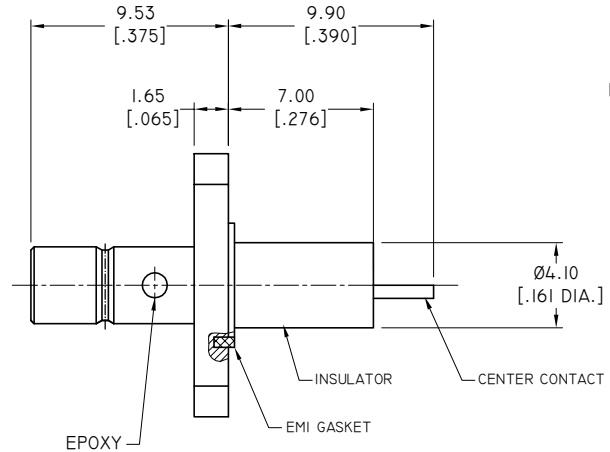
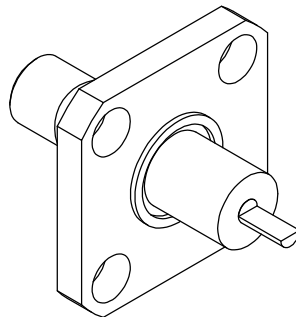
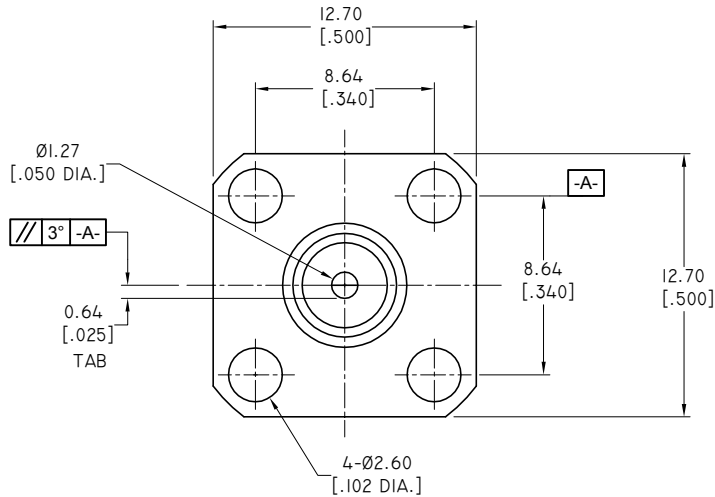
MECHANICAL DATA:

- 1 CONNECTOR DURABILITY: 500 CYCLES MIN. AT 12 CYCLES/MINUTE MAX.
- 2 CENTER CONTACT CAPTIVATION:
AXIAL FORCE FROM INTERFACE: 10N MIN.

ELECTRICAL DATA:

- 1 IMPEDANCE: 50 Ω
- 2 FREQUENCY RANGE: DC~4 GHz
- 3 DIELECTRIC WITHSTANDING VOLTAGE: 750V
- 4 INSULATION RESISTANCE: 5000 MΩ
- 5 WORKING VOLTAGE: 335 VRMS MAX. AT SEA LEVEL
- 6 CONTACT RESISTANCE:
CENTER CONDUCTOR:
BEFORE ENVIRONMENTAL: 5.0 MILLIOHMS
AFTER ENVIRONMENTAL: 10.0 MILLIOHMS
OUTER CONDUCTOR:
BEFORE ENVIRONMENTAL: 2.5 MILLIOHMS
AFTER ENVIRONMENTAL: 7.5 MILLIOHMS

REVISIONS			
REV.	DESCRIPTION	DATE	APPROVED
A	INITIAL RELEASE	01/10/20	J. QU
B	.276 WAS .197 AND .390 WAS .311	01/31/20	J. QU



RECOMMENDED MOUNTING HOLE

DRAWN	X. B. YANG	DATE	01/31/20
CHECKED	W. YANG	DATE	01/31/20
APPROVED	J. QU	DATE	01/31/20

UNLESS OTHERWISE SPECIFIED DIMENSIONS ARE IN MILLIMETERS, DIMENSIONS IN [] ARE IN INCHES FOR CUSTOMER REFERENCE ONLY UNLESS OTHERWISE SPECIFIED TOLERANCE ARE:

.XX	±0.13 [.005"]
.X	±0.20 [.008"]
X	±0.50 [.019"]
.X°	±1°
X°	±2°

THESE DRAWINGS AND SPECIFICATIONS ARE THE PROPERTY OF ANOISON ELECTRONICS LTD AND SHOULD NOT BE USED WITHOUT WRITTEN PERMISSION COPYRIGHT © 2020 ANOISON ELECTRONICS LTD



TITLE
SMB STRAIGHT JACK, SOLDER ATTACHMENT 4 HOLE .500 SQ.FLANGE MOUNT TAB TERMINAL, .340 INCH HOLE SPACING WITH EMI GASKET

VIEW	PART NO. ANO 1712-3045			
	SIZE A3	SCALE 4:1	SHEET 1/1	REV. B