

REVISIONS			
REV.	DESCRIPTION	DATE	APPROVED
A	INITIAL RELEASE	02/21/25	J. Q

**MATERIAL & FINISH:
N CONNECTOR:**

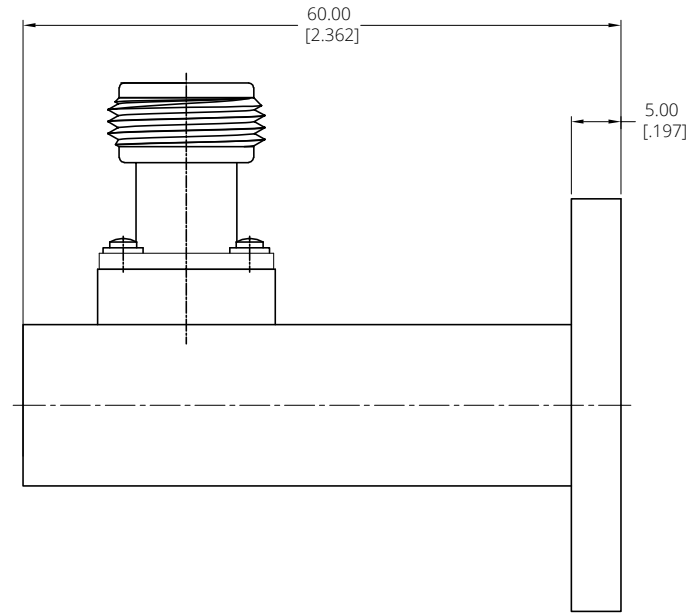
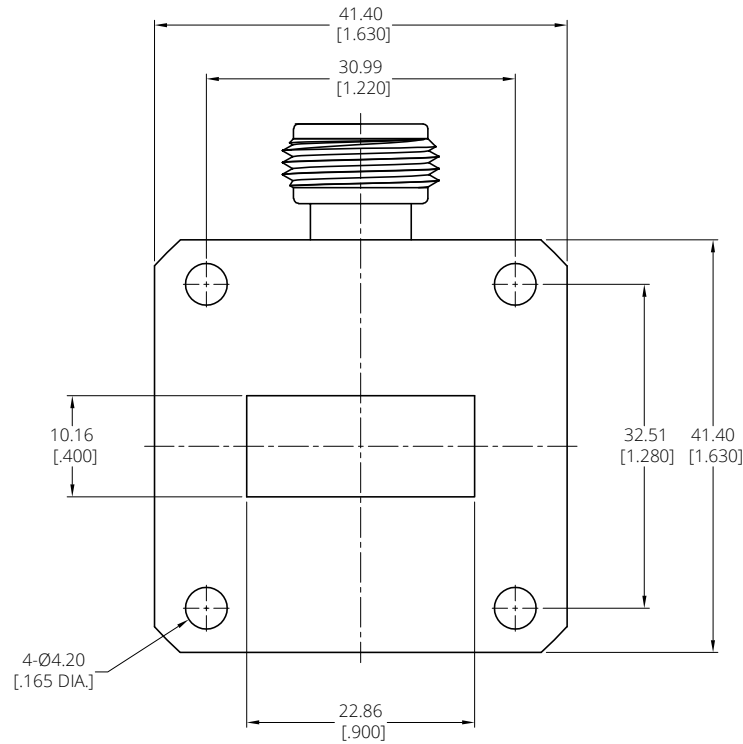
1 BODY: BRASS, SILVER PLATED

WR90:

1 CAVITY: ALUMINIUM ALLOY

ELECTRICAL DATA:

- 1 IMPEDANCE: 50 Ω
- 2 FREQUENCY RANGE: 8.2~12.5 GHz
- 3 VSWR: 1.25 MAX.
- 4 INSERTION LOSS: 0.25 dB MAX.
- 5 POWER: 400W
- 6 PEEK POWER: 4 KW



DRAWN	W. Y	DATE	02/21/25
CHECKED	X. Y	DATE	02/21/25
APPROVED	J. Q	DATE	02/21/25
UNLESS OTHERWISE SPECIFIED DIMENSIONS ARE IN MILLIMETERS, DIMENSIONS IN [] ARE IN INCHES FOR CUSTOMER REFERENCE ONLY UNLESS OTHERWISE SPECIFIED TOLERANCE ARE:		THESE DRAWINGS AND SPECIFICATIONS ARE THE PROPERTY OF ANOISON ELECTRONICS LTD AND SHOULD NOT BE USED WITHOUT WRITTEN PERMISSION COPYRIGHT © 2025 ANOISON ELECTRONICS LTD	
XX	±0.13 [005"]		
X	±0.25 [010"]		
X	±0.50 [019"]		
X°	±1°		
X°	±2°		



TITLE			
WR90 WAVEGUIDE TO COAXIAL N RIGHT ANGLE ADAPTERS			
VIEW		PART NO.	
		ANO WR90-N-02	
SIZE	SCALE	SHEET	REV.
A3	5:1	1/1	A