

4

3

2

1

REVISIONS

REV.	DESCRIPTION	DATE	APPROVED
A	INITIAL RELEASE	11/20/25	J Q

MATERIAL & FINISH:

N CONNECTOR:

- 1 BODY: PASSIVATED STAINLESS STEEL

WR75:

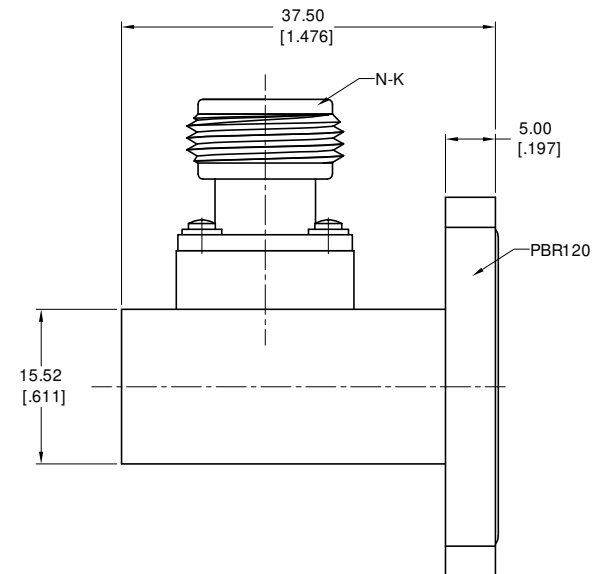
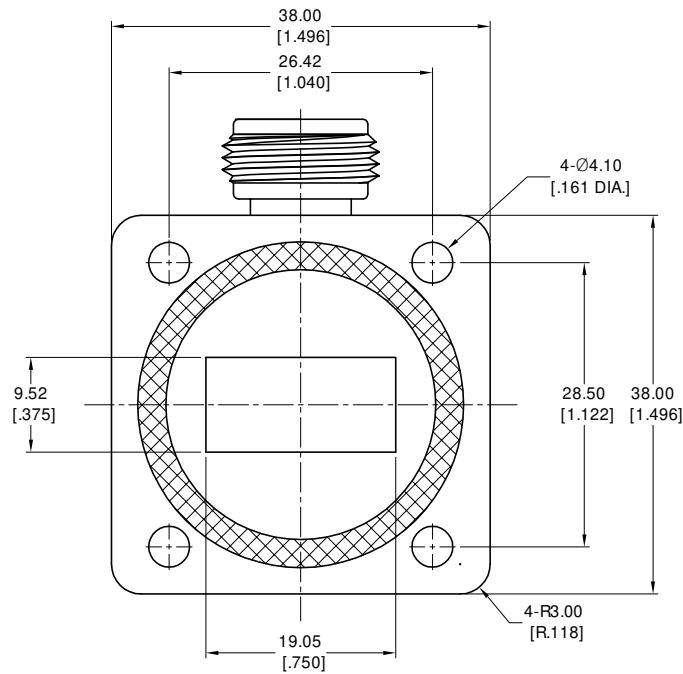
- 1 CAVITY: ALUMINIUM ALLOY, GREY PAINTED

ENVIRONMENTAL DATA:

- 1 TEMPERATURE RANGE: -40 °C ~ +70 °C
- 2 2011/65/EU (RoHS) AND 2015/863/(RoHS): COMPLIANT
- 3 1999/2006/EC (REACH): COMPLIANT
- 4 WEIGHT: 65.4g

ELECTRICAL DATA:

- 1 IMPEDANCE: 50 Ω
- 2 FREQUENCY RANGE: 9.84~15 GHz
- 3 VSWR: 1.20 MAX.
- 4 INSERTION LOSS: 0.35dB MAX.
- 5 AVERAGE POWER: 200W @ 25°C
- 6 PEAK POWER: 2000W



DRAWN	P. C	DATE	11/20/25
CHECKED	X. Y	DATE	11/20/25
APPROVED	J Q	DATE	11/20/25
UNLESS OTHERWISE SPECIFIED DIMENSIONS ARE IN MILLIMETERS, DIMENSIONS IN [] ARE IN INCHES FOR CUSTOMER REFERENCE ONLY UNLESS OTHERWISE SPECIFIED TOLERANCE ARE:		THESE DRAWINGS AND SPECIFICATIONS ARE THE PROPERTY OF ANOISON ELECTRONICS LTD AND SHOULD NOT BE USED WITHOUT WRITTEN PERMISSION COPYRIGHT © 2025 ANOISON ELECTRONICS LTD	
.XX	±0.13 [0.005"]		
.X	±0.25 [0.010"]		
X	±0.50 [0.019"]		
.X°	±1°		
X°	±2°		



TITLE			
WR75 WAVEGUIDE TO COAXIAL N RIGHT ANGLE ADAPTERS			
VIEW	PART NO.		
	ANO WR75-N-02		
SIZE	SCALE	SHEET	REV.
A3	2:1	1/1	A

4

3

2

1