

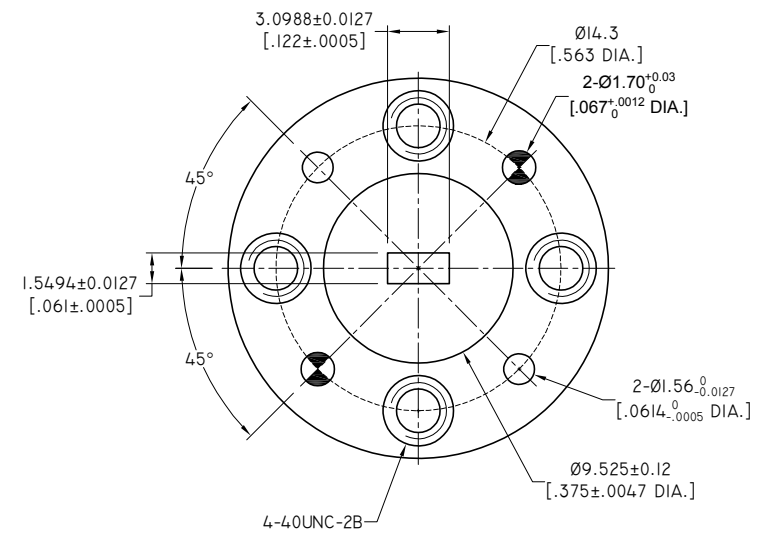
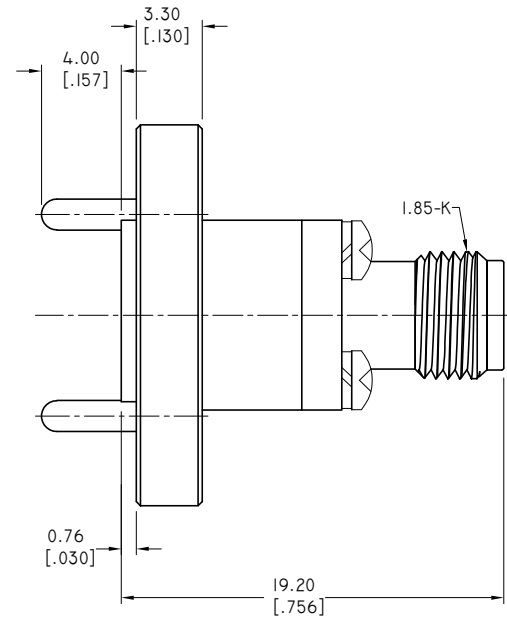
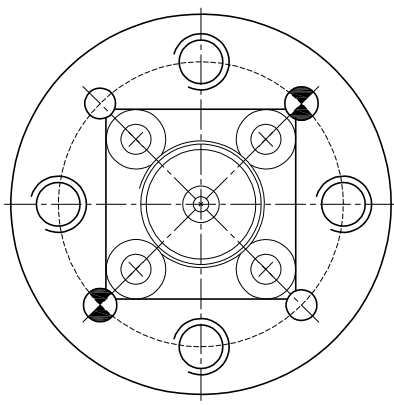
REVISIONS			
REV.	DESCRIPTION	DATE	APPROVED
A	INITIAL RELEASE	02/21/24	J. Q

**MATERIAL & FINISH:
CONNECTOR:**

- 1 BODY: BRASS, GOLD PLATED
- 2 CENTER CONTACT: BERYLLIUM COPPER, GOLD PLATED
- 3 INSULATOR: PEI

ELECTRICAL DATA:

- 1 IMPEDANCE: 50 Ω
- 2 FREQUENCY RANGE: 60-65 GHz
- 3 VSWR: 1.80 MAX.
- 4 INSERTION LOSS: 0.8 DB MAX.



DRAWN	W. Y	DATE	02/21/24
CHECKED	L. Y	DATE	02/21/24
APPROVED	J. Q	DATE	02/21/24
UNLESS OTHERWISE SPECIFIED DIMENSIONS ARE IN MILLIMETERS, DIMENSIONS IN [] ARE IN INCHES FOR CUSTOMER REFERENCE ONLY UNLESS OTHERWISE SPECIFIED TOLERANCE ARE:		THESE DRAWINGS AND SPECIFICATIONS ARE THE PROPERTY OF ANOISON ELECTRONICS LTD AND SHOULD NOT BE USED WITHOUT WRITTEN PERMISSION COPYRIGHT © 2024 ANOISON ELECTRONICS LTD	
.XX	±0.13 [.005"]		
.X	±0.25 [.010"]		
X	±0.50 [.019"]		
.X°	±1°		
X°	±2°		

TITLE
WR12 WAVEGUIDE TO COAXIAL 1.85MM STRAIGHT ADAPTERS

VIEW

PART NO.
ANO WR12-185-01

SIZE A3	SCALE 5:1	SHEET 1/1	REV. A
-------------------	---------------------	---------------------	------------------

4

3

2

1

D

C

B

A

D

C

B

A

4

3

2

1