

VITA 67 and D38999 Coax Assemblies



Anoison Electronics has the professional staff and engineers to create custom cable assemblies to meet our customers' needs. That is especially true when it comes to VITA67 and D38999 multi-coax connection systems.

Our experts can create VITA67 and D38999 coaxial assemblies using either of two major cable diameters 0.086 and 0.047 with working frequencies up to 65GHz.

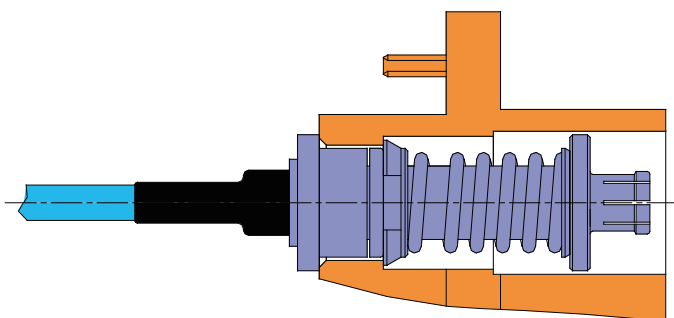
Available connectors include 38999 contact size-12 SMPM and size-16 SMPS; VITA67 SMPM, SMPS & NanoRF. Further, Anoison makes a wide range of standard connectors available including SMA, 2.92mm, 2.4mm, 1.85mm, SMPM, SMPS connector series.

Our VITA67 and D38999 cable assemblies assure the best mechanical strength by using the hardest available materials for the micro connector bodies.

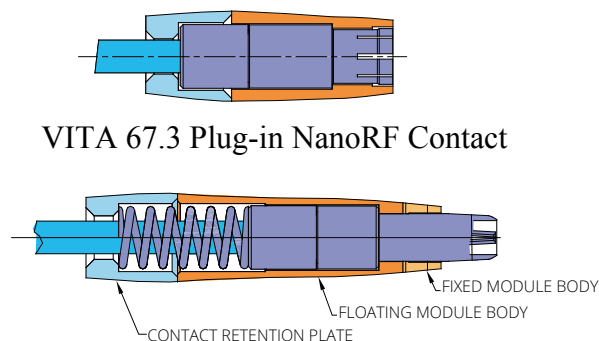
Customers can specify precise lengths and Phase Matching as needed for their application.

Anoison designers and engineers are known for quickly turning detailed requirements into solutions. And our production staff assures quick delivery of the custom cables.

VITA 67 Cable Assemblies



VITA 67.3 Backplane SMPM Contact



VITA 67.3 Backplane NanoRF Contact

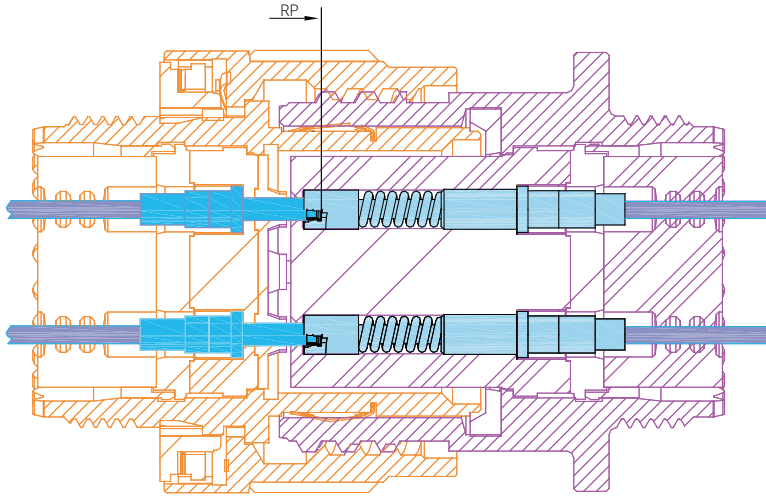
VITA 67 Coaxial Cable Assembly Contacts

Std	Module Stl	Interface	Cable	Part number
VITA 67.1/2	Backplane	SMPM Female	AFLEX047	ANO 9412-2038
VITA 67.1/2	Backplane	SMPM Female	AFLEX086	ANO 9412-2050
VITA 67.3	Backplane	SMPM Female	AFLEX047	ANO 9412-2070
VITA 67.3	Backplane	SMPS Female	AFLEX047	ANO 7812-2006
VITA 67.3	Backplane	NanoRF Female	AFLEX086	ANO 4112-2020
VITA 67.3	Plug - in Card	NanoRF Male	AFLEX086	ANO 4111-2030
VITA 67.3	Backplane	NanoRF Female	AFLEX047	ANO 4112-2026
VITA 67.3	Plug - in Card	NanoRF Male	AFLEX047	ANO 4111-2021

Notes:

- 1) VITA67 and 38999 style connectors are available on another coax side along with standard SMP/SMPM/SMPS/SMA/2.92mm/2.4mm/1.85mm connectors.
- 2) Cable lengths are defined by users.
- 3) Advise if you have Phase-match demand.

SMPM Contacts Mated in D38999 Housing



D38999 Coaxial Cable Assembly Contacts

Std	Size #	Interface	Cable	Part number
D38999	Size 12	SMPM MALE	AFLEX086	ANO 9411-2037
D38999	Size 12	SMPM FEMALE	AFLEX086	ANO 9412-2043
D38999	Size 12	SMPM MALE	AFLEX047	ANO 9411-2060
D38999	Size 12	SMPM FEMALE	AFLEX047	ANO 9412-2071
D38999	Size 16	SMPM MALE	AFLEX047	ANO 7811-2005
D38999	Size 16	SMPM FEMALE	AFLEX047	ANO 7812-2004

Notes:

- 1) VITA67 and 38999 style connectors are available on another coax side along with standard SMP/SMPM/SMPs/SMA/2.92mm/2.4mm/1.85mm connectors.
- 2) Cable lengths are defined by users.
- 3) Advise if you have Phase-match demand.

