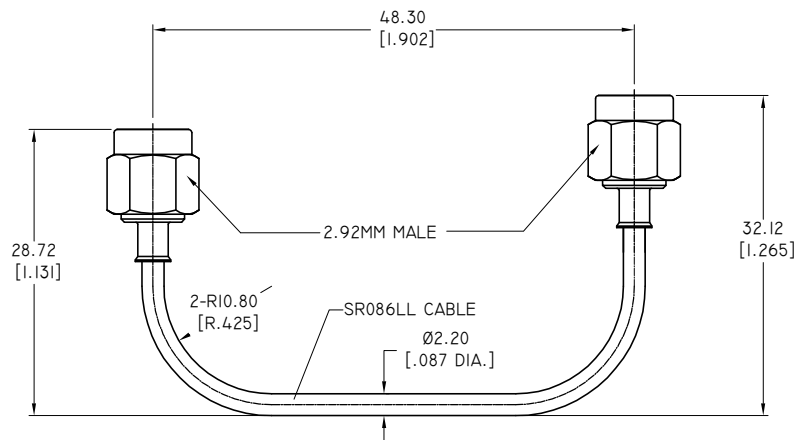


**ELECTRICAL DATA:**

- 1 IMPEDANCE: 50 OHMS
- 2 FREQUENCY RANGE: DC-40 GHZ



TITLE  
 CABLE ASSEMBLY, 2.92 STRAIGHT MALE TO  
 2.92 STRAIGHT MALE, SR086LL CABLE, 0.081 METERS

NOTES:  
 1. UNLESS OTHERWISE SPECIFIED ALL DIMENSIONS ARE NOMINAL.  
 2. ALL SPECIFICATIONS ARE SUBJECT TO CHANGED WITHOUT NOTICE AT ANY TIME.  
 3. DIMENSIONS ARE IN MILLIMETERS, DIMENSIONS IN [ ] ARE IN INCHES  
 4. LENGTH TOLERANCE IS ±2%.

VIEW	PART NO.			
	SR086LL-29M-29M-81MM			
SIZE	SCALE	SHEET	REV.	
A3	2:1	1/1	A	