

4

3

2

1

ELECTRICAL DATA:

- 1 IMPEDANCE: 50 Ω
- 2 FREQUENCY RANGE: DC-67 GHz
- 3 VSWR: 1.35 MAX
- 4 INSERTION LOSS: 4.7dB MAX

D

D

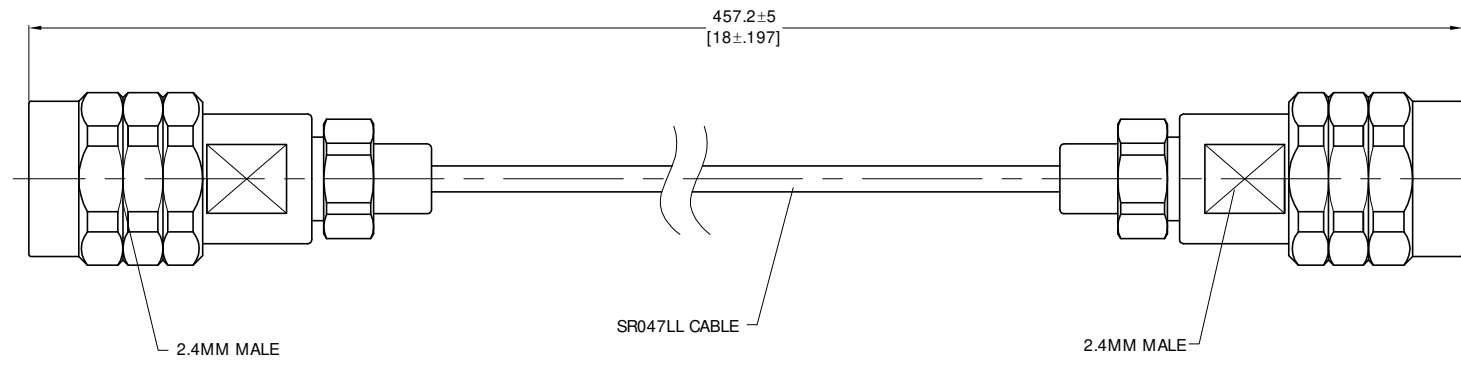
C

B

B

A

A



TITLE
 CABLE ASSEMBLY, 1.85MM STRAIGHT MALE TO 1.85MM STRAIGHT MALE, ANO SR047-LL CABLE, 18 INCHES

NOTES:
 1. UNLESS OTHERWISE SPECIFIED ALL DIMENSIONS ARE NOMINAL.
 2. ALL SPECIFICATIONS ARE SUBJECT TO CHANGED WITHOUT NOTICE AT ANY TIME
 3. DIMENSIONS ARE IN MILLIMETERS, DIMENSIONS IN [] ARE IN INCHES
 4. LENGTH TOLERANCE IS ±2%.

VIEW	PART NO.		
	SR047LL-18M-18M-18		
SIZE	SCALE	SHEET	REV.
A3	4:1	1/1	A

4

3

2

1