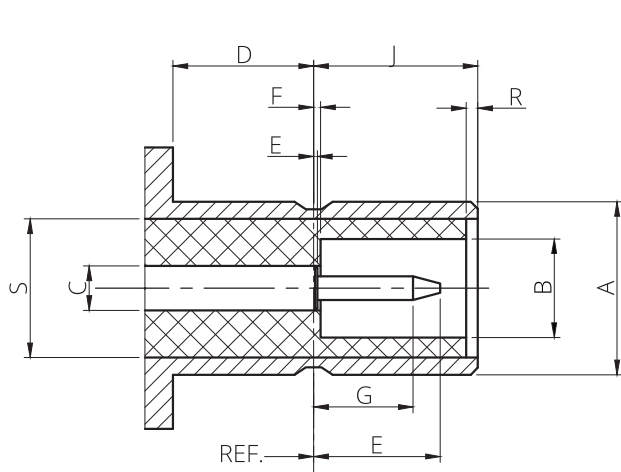
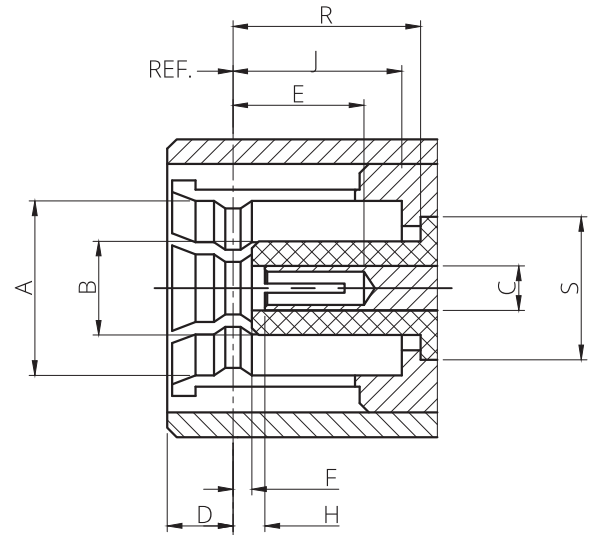


SMB Interface Dimensions



Jack(Male Pin)



Plug(Female Socket)

Interface Dimensions(mm/inches)

	JACK		PLUG	
	Min	Max	Min	Max
A	3.66/.144	3.71/.146	—	—
B	2.08/.082	—	—	2.06/.081
C	—	—	—	—
D	1.65/.065	—	—	1.63/.064
E	—	2.97/.117	2.97/.117	—
F	—	0.18/.007	0.18/.007	—
G	1.32/.052	—	—	—
H	—	0.18/.007	0.18/.007	0.94/.037
J	3.33/.131	3.58/.141	3.58/.141	—
R	0.0/0.0	—	3.58/.141	—
S	3.05/.120		3.05/.120	

Interface dimensions conformable to the standards:

International: IEC 60169-10