

MATERIAL & FINISH:

1. BODY: STAINLESS STEEL, PASSIVATED
2. CENTER CONTACT: BERYLLIUM COPPER ALLOY, GOLD PLATED

ENVIRONMENTAL DATA:

1. STORAGE TEMPERATURE: -55°C~+125°C
2. OPERATING TEMPERATURE: 0°C~+85°C
3. 2011/65/EU (RoHS): COMPLIANT

ELECTRICAL DATA:

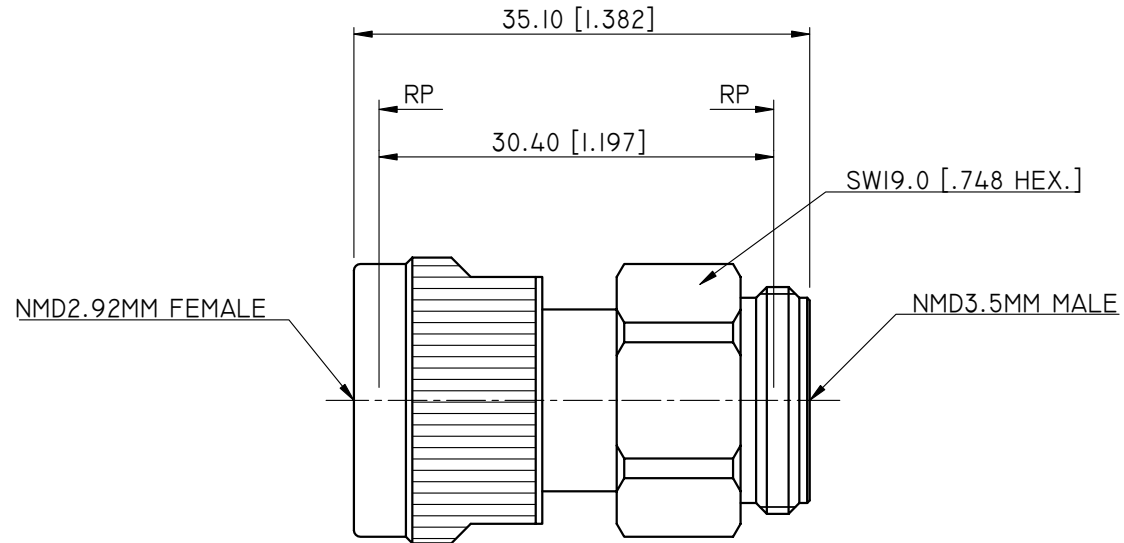
1. IMPEDANCE: 50 Ω
2. FREQUENCY RANGE: DC~26.5 GHz
3. VSWR: 1.15 MAX.
4. INSERTION LOSS: 0.25 DB MAX.

MECHANICAL DATA:

1. MECHANICAL DURABILITY: 2000 CYCLES MIN.
2. RECOMMENDED TORQUE:
 - NMD2.92MM FEMALE: 1.35~2 NM
 - NMD3.5MM MALE: 1.35~2 NM

REVISIONS

REV.	DESCRIPTION	DATE	APPROVED
A	INITIAL RELEASE	05/14/15	J. QU



DRAWN	X. B. YANG	DATE	05/14/15					
CHECKED	L. YANG	DATE	05/14/15					
APPROVED	J. QU	DATE	05/14/15					
UNLESS OTHERWISE SPECIFIED DIMENSIONS ARE IN MILLIMETERS, DIMENSIONS IN [] ARE IN INCHES FOR CUSTOMER REFERENCE ONLY UNLESS OTHERWISE SPECIFIED TOLERANCE ARE: .XX ±0.13 [.005"] .X ±0.20 [.008"] X ±0.50 [.019"] .X° ±1° X° ±2°				THESE DRAWINGS AND SPECIFICATIONS ARE THE PROPERTY OF ANOISON ELECTRONICS LTD AND SHOULD NOT BE USED WITHOUT WRITTEN PERMISSION COPYRIGHT © 2015 ANOISON ELECTRONICS LTD				
TITLE				ADAPTER, NMD2.92MM FEMALE TO NMD3.5MM MALE				
VIEW		PART NO.		SIZE		SCALE	SHEET	REV.
		PA647ID		A3		2.5:1	1/1	A