

4

3

2

1

**MATERIAL & FINISH:**

- 1 BODY: STAINLESS STEEL, PASSIVATED
- 2 CENTER CONTACT: BERYLLIUM COPPER ALLOY, GOLD PLATED
- 3 COUPLING NUT: STAINLESS STEEL, PASSIVATED
- 4 INSULATOR: PEI

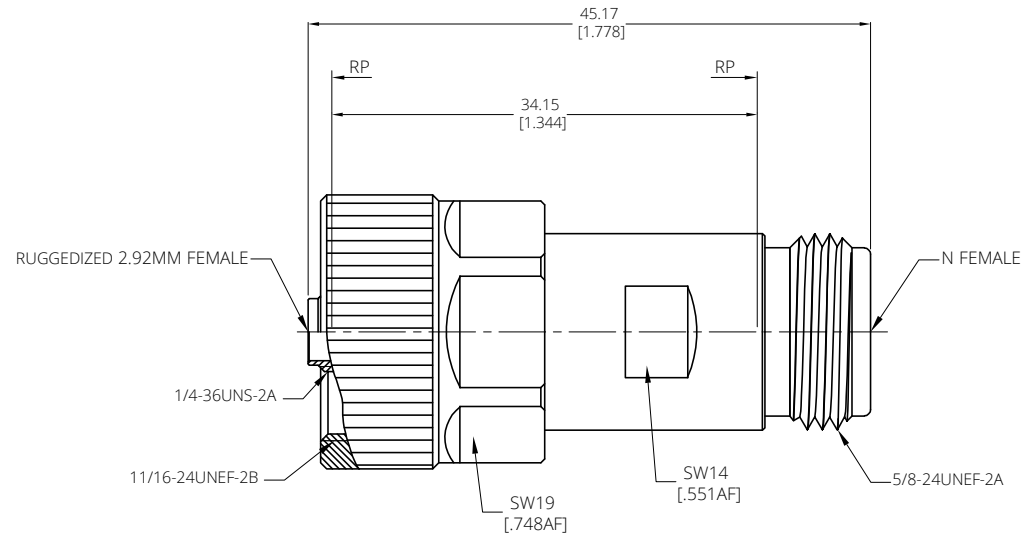
**ELECTRICAL DATA:**

- 1 IMPEDANCE: 50 Ω
- 2 FREQUENCY RANGE: DC~18 GHz
- 3 VSWR: 1.15 MAX.

**ENVIRONMENTAL DATA:**

- 1 TEMPERATURE RANGE: -55°C~+165°C
- 2 2011/65/EU(RoHS) AND 2015/863/(RoHS): COMPLIANT
- 3 1999/2006/EC(REACH): COMPLIANT

REVISIONS			
REV.	DESCRIPTION	DATE	APPROVED
A	INITIAL RELEASE	07/01/24	J. Q



DRAWN	W. Y	DATE	07/01/24
CHECKED	X. Y	DATE	07/01/24
APPROVED	J. Q	DATE	07/01/24

UNLESS OTHERWISE SPECIFIED DIMENSIONS ARE IN MILLIMETERS, DIMENSIONS IN [ ] ARE IN INCHES FOR CUSTOMER REFERENCE ONLY UNLESS OTHERWISE SPECIFIED TOLERANCE ARE:

XX	±0.13 [.005"]
X	±0.20 [.008"]
X	±0.50 [.019"]
X°	±1°
X°	±2°

THESE DRAWINGS AND SPECIFICATIONS ARE THE PROPERTY OF ANOISON ELECTRONICS LTD AND SHOULD NOT BE USED WITHOUT WRITTEN PERMISSION  
COPYRIGHT © 2024 ANOISON ELECTRONICS LTD

TITLE

RUGGEDIZED ADAPTER, RUG2.92MM FEMALE TO N FEMALE

VIEW



PART NO.

PA6451C

SIZE  
A3SCALE  
4:1SHEET  
1/1REV.  
A

4

3

2

1