

4 3 2 1

**1.0 MATERIAL & FINISH:**

- 1.1 BODY: STAINLESS STEEL, PASSIVATED
- 1.2 CENTER CONTACT: BERYLLIUM COPPER ALLOY, GOLD PLATED
- 1.3 INSULATOR: PEI

**2.0 ENVIRONMENTAL DATA:**

- 2.1 TEMPERATURE RANGE: -55°C~+165°C
- 2.2 2011/65/EU (RoHS): COMPLIANT

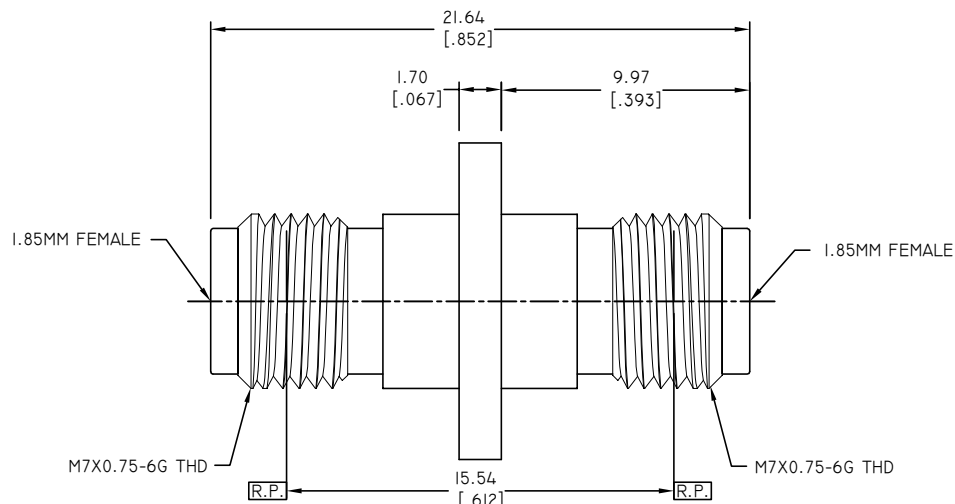
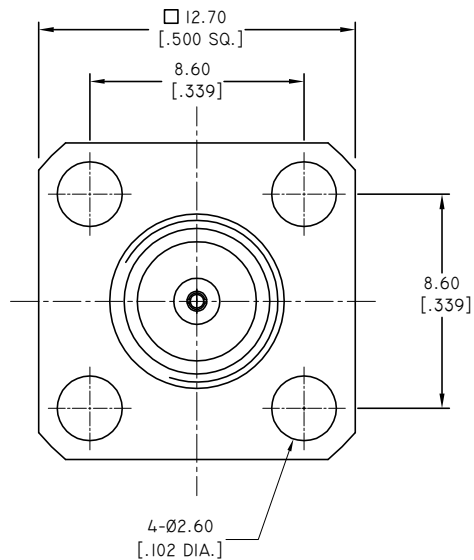
**3.0 APPLICABLE STANDARDS:**

- 3.1 INTERFACE ACCORDING TO: MIL-STD-348

**4.0 ELECTRICAL DATA:**

- 4.1 IMPEDANCE: 50 Ω
- 4.2 FREQUENCY RANGE: DC~67 GHz
- 4.3 VSWR: 1.25 MAX.

REVISIONS			
REV.	DESCRIPTION	DATE	APPROVED
A	INITIAL RELEASE	09/05/18	J. QU



DRAWN	L. YANG	DATE	09/05/18
CHECKED	P. CHEN	DATE	09/05/18
APPROVED	J. QU	DATE	09/05/18
UNLESS OTHERWISE SPECIFIED DIMENSIONS ARE IN MILLIMETERS, DIMENSIONS IN [ ] ARE IN INCHES FOR CUSTOMER REFERENCE ONLY UNLESS OTHERWISE SPECIFIED TOLERANCE ARE:		THESE DRAWINGS AND SPECIFICATIONS ARE THE PROPERTY OF ANOISON ELECTRONICS LTD AND SHOULD NOT BE USED WITHOUT WRITTEN PERMISSION COPYRIGHT © 2018 ANOISON ELECTRONICS LTD	
.XX	±0.13 [0.005"]		
.X	±0.20 [0.008"]		
X	±0.50 [0.019"]		
X°	±1°		
X°	±2°		

**ANOISON**

TITLE: PRECISION ADAPTER, 1.85MM FEMALE TO 1.85MM FEMALE 4 HOLE FLANGE

VIEW:

PART NO. PA6262F

SIZE	SCALE	SHEET	REV.
A3	5:1	1/1	A

4 3 2 1