

MATERIAL & FINISH:

1. BODY: STAINLESS STEEL, PASSIVATED
2. CENTER CONTACT: BERYLLIUM COPPER ALLOY, GOLD PLATED
3. INSULATOR: PEI
4. COUPLING NUT: STAINLESS STEEL, PASSIVATED

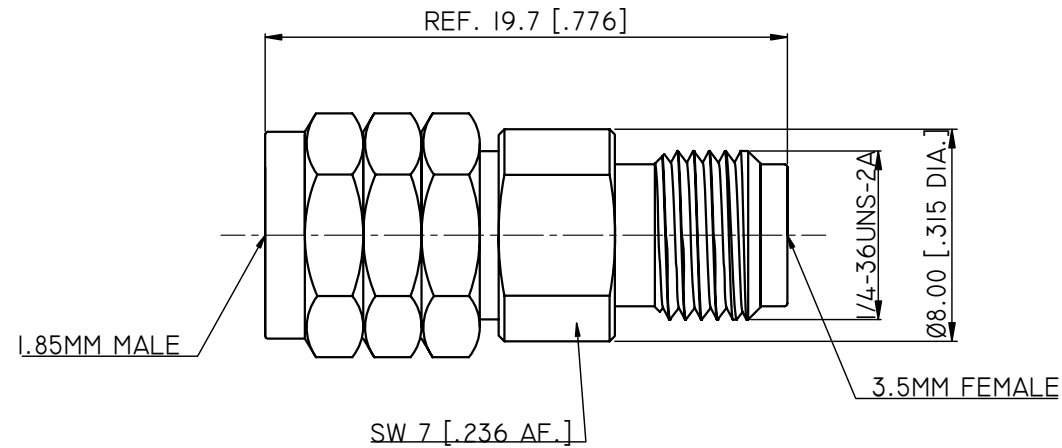
ENVIRONMENTAL DATA:



1. TEMPERATURE RANGE: -55°C~+125°C
2. 2011/65/EU (RoHS): COMPLIANT

ELECTRICAL DATA:

1. IMPEDANCE: 50 Ω
2. FREQUENCY RANGE: DC~33 GHZ
3. VSWR: 1.15MAX.

REVISIONS			
REV.	DESCRIPTION	DATE	APPROVED
A	INITIAL RELEASE	06/03/15	J. QU



DRAWN	X. B. YANG	DATE	06/03/15				
CHECKED	L. YANG	DATE	06/03/15				
APPROVED	J. QU	DATE	06/03/15				
<small>UNLESS OTHERWISE SPECIFIED DIMENSIONS ARE IN MILLIMETERS, DIMENSIONS IN [] ARE IN INCHES FOR CUSTOMER REFERENCE ONLY UNLESS OTHERWISE SPECIFIED</small>		<small>THESE DRAWINGS AND SPECIFICATIONS ARE THE PROPERTY OF ANOISON ELECTRONICS LTD AND SHOULD NOT BE USED WITHOUT WRITTEN PERMISSION</small>		TITLE PRECISION ADAPTER 1.85MM MALE TO 3.5MM FEMALE			
<small>TOLERANCE ARE:</small> .XX ±0.13 [.005"] .X ±0.20 [.008"] X ±0.50 [.019"] .X° ±1° X° ±2°		<small>COPYRIGHT © 2015 ANOISON ELECTRONICS LTD</small>		VIEW 		PART NO. PA6225B	
SIZE		SCALE		SHEET		REV.	
A3		5:1		1/1		A	