

REVISIONS			
REV.	DESCRIPTION	DATE	APPROVED
A	INITIAL RELEASE	06/01/15	J. QU

MATERIAL & FINISH:

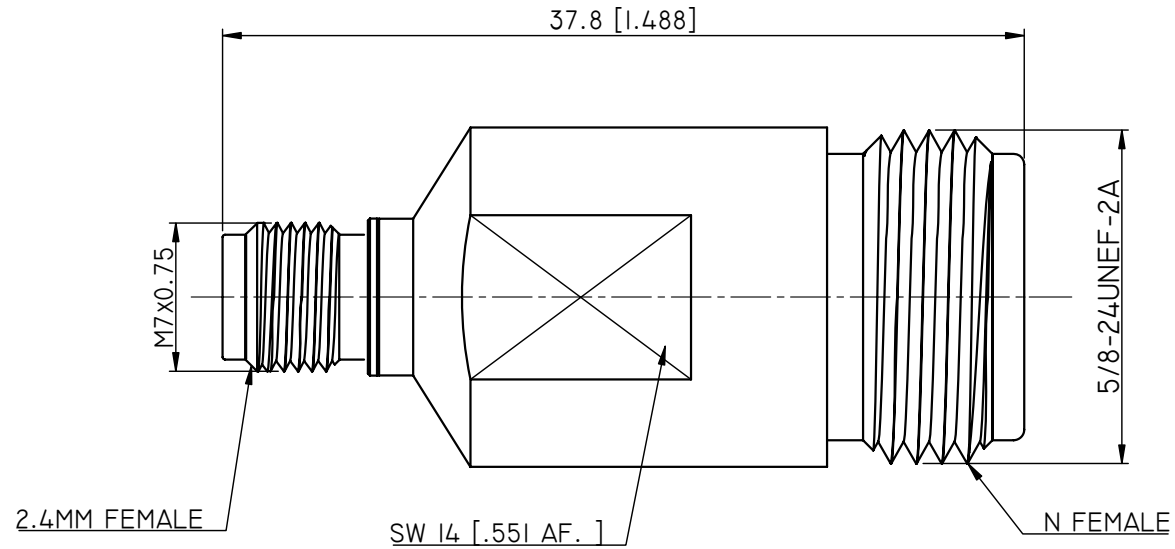
1. BODY: STAINLESS STEEL, PASSIVATED
2. CENTER CONTACT: BERYLLIUM COPPER ALLOY, GOLD PLATED
3. INSULATOR: PEI

ENVIRONMENTAL DATA:

1. TEMPERATURE RANGE: -55°C~+125°C
2. 2011/65/EU (RoHS): COMPLIANT

ELECTRICAL SPECIFICATIONS:

1. IMPEDANCE: 50 Ω
2. FREQUENCY RANGE: DC~18GHZ
3. VSWR: 1.15 MAX



DRAWN	L. YANG	DATE	06/01/15		
CHECKED	X. B. YANG	DATE	06/01/15		
APPROVED	J. QU	DATE	06/01/15		
UNLESS OTHERWISE SPECIFIED DIMENSIONS ARE IN MILLIMETERS, DIMENSIONS IN [] ARE IN INCHES FOR CUSTOMER REFERENCE ONLY UNLESS OTHERWISE SPECIFIED TOLERANCE ARE:		THESE DRAWINGS AND SPECIFICATIONS ARE THE PROPERTY OF ANOISON ELECTRONICS LTD AND SHOULD NOT BE USED WITHOUT WRITTEN PERMISSION COPYRIGHT © 2015 ANOISON ELECTRONICS LTD			
.XX	±0.13 [.005"]				
.X	±0.20 [.008"]				
X	±0.50 [.019"]				
.X°	±1°				
X°	±2°				
TITLE		PRECISION ADAPTER 2.4MM FEMALE TO N FEMALE			
VIEW		PART NO. PA5I22C			
SIZE		SCALE	SHEET	REV.	
A3		4:1	1/1	A	