

4

3

2

1

## MATERIAL &amp; FINISH:

- 1 CENTER CONTACT: BERYLLIUM COPPER ALLOY, GOLD PLATED
- 2 INSULATOR: PTFE
- 3 BODY: STAINLESS STEEL, PASSIVATED
- 4 COUPLING NUT: STAINLESS STEEL, PASSIVATED

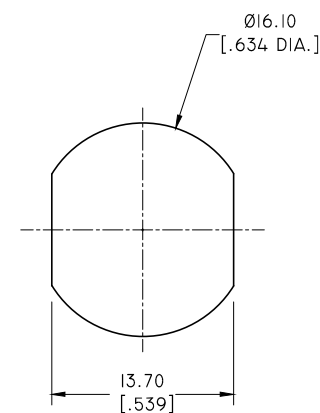
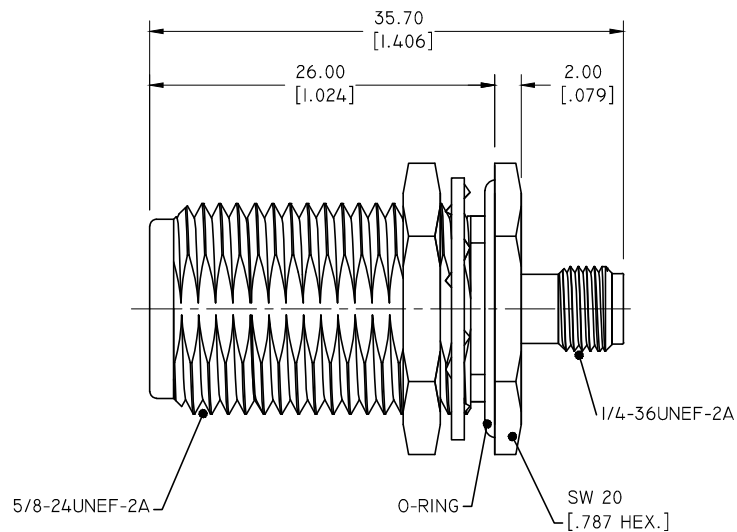
## ELECTRICAL DATA:

- 1 IMPEDANCE: 50  $\Omega$
- 2 FREQUENCY RANGE: DC~18 GHZ
- 3 VSWR: 1.15 MAX


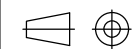
## ENVIRONMENTAL DATA:

- 1 TEMPERATURE RANGE: -55°C~+125°C
- 2 2011/65/EU (RoHS): COMPLIANT
- 3 1907/2006/EC(REACH) AND 1999/45/EC(REACH): COMPLIANT

REVISIONS			
REV.	DESCRIPTION	DATE	APPROVED
A	INITIAL RELEASE	05/13/15	J. QU
B	CHANGED P/N	06/01/15	J. QU
C	CHANGED DRAWING FORMAT	04/02/19	J. QU



RECOMMENDED MOUNTING HOLE

DRAWN	W. YANG	DATE	04/02/19	 <p>...we create connection for technologies</p>					
CHECKED	L. YANG	DATE	04/02/19						
APPROVED	J. QU	DATE	04/02/19						
UNLESS OTHERWISE SPECIFIED DIMENSIONS ARE IN MILLIMETERS. DIMENSIONS IN [ ] ARE IN INCHES FOR CUSTOMER REFERENCE ONLY UNLESS OTHERWISE SPECIFIED TOLERANCE ARE:		THESE DRAWINGS AND SPECIFICATIONS ARE THE PROPERTY OF ANOISON ELECTRONICS LTD AND SHOULD NOT BE USED WITHOUT WRITTEN PERMISSION COPYRIGHT © 2019 ANOISON ELECTRONICS LTD		TITLE					
				PRECISION ADAPTER, N STRAIGHT WATERPROOF BULKHEAD FEMALE TO SMA FEMALE					
VIEW		PART NO.		PA512IE					
		SIZE	A3	SCALE	2.5:1	SHEET	1/1	REV.	E

4

3

2

1