

MATERIAL & FINISH:

1. BODY: STAINLESS STEEL, PASSIVATED
2. CENTER CONTACT: BERYLLIUM COPPER ALLOY, GOLD PLATED
3. INSULATOR: MPP0/PEI

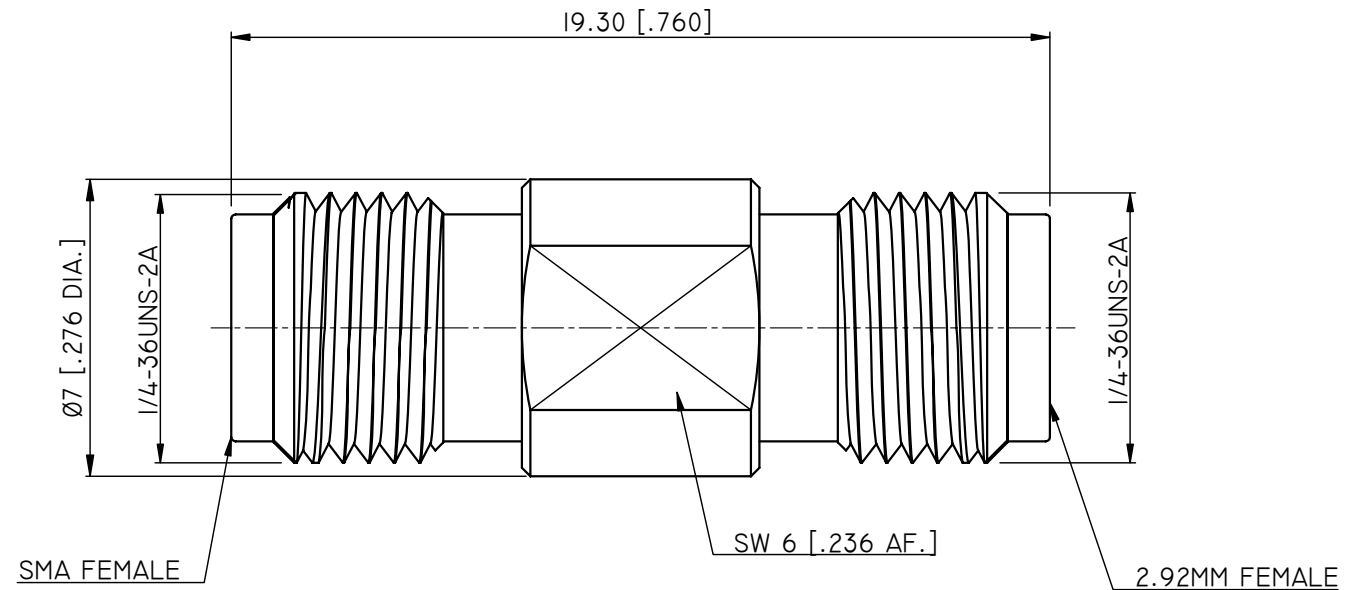
ENVIRONMENTAL DATA:



1. TEMPERATURE RANGE: -55°C~+125°C
2. 2002/95/EC (RoHS): COMPLIANT

ELECTRICAL SPECIFICATIONS:

1. IMPEDANCE: 50 Ω
2. FREQUENCY RANGE: DC~27GHZ
3. VSWR: 1.15 MAX

REVISIONS			
REV.	DESCRIPTION	DATE	APPROVED
A	INITIAL RELEASE	04/10/14	J. QU
B	CHANGED P/N	06/01/15	J. QU



DRAWN	L. YANG	DATE	06/01/15	 <p>ANOISON ...we create connection for technologies</p>			
CHECKED	X. B. YANG	DATE	06/01/15				
APPROVED	J. QU	DATE	06/01/15				
UNLESS OTHERWISE SPECIFIED DIMENSIONS ARE IN MILLIMETERS, DIMENSIONS IN [] ARE IN INCHES FOR CUSTOMER REFERENCE ONLY UNLESS OTHERWISE SPECIFIED TOLERANCE ARE: .XX ±0.13 [.005"] .X ±0.20 [.008"] X ±0.50 [.019"] .X° ±1° X° ±2°				THESE DRAWINGS AND SPECIFICATIONS ARE THE PROPERTY OF ANOISON ELECTRONICS LTD AND SHOULD NOT BE USED WITHOUT WRITTEN PERMISSION COPYRIGHT © 2015 ANOISON			
TITLE				PRECISION ADAPTER SMA FEMALE TO 2.92MM FEMALE			
VIEW				PART NO. PA2921C			
		SIZE	SCALE	SHEET	REV.		
		A3	8:1	1/1	B		