

4

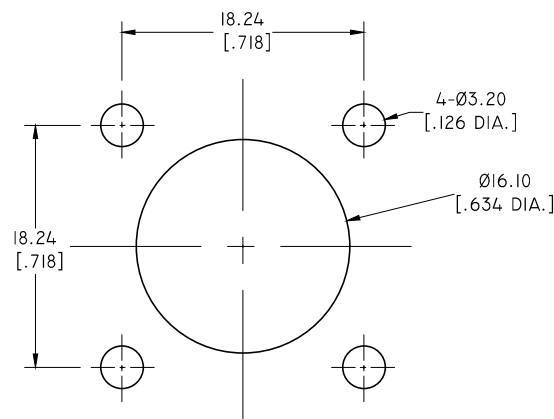
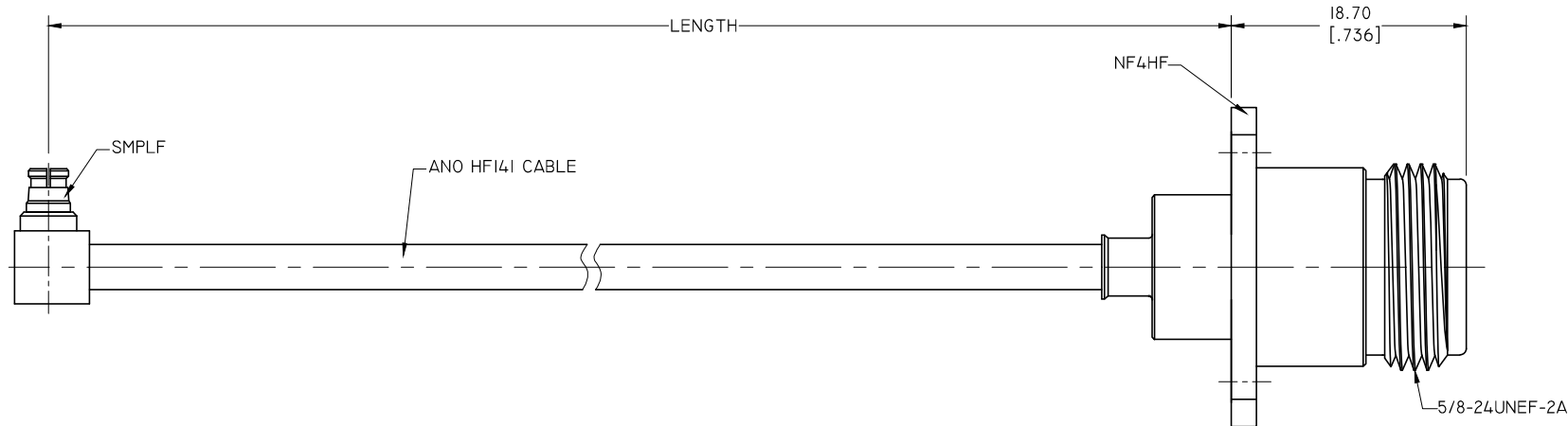
3

2

1

ELECTRICAL DATA:

- 1 IMPEDANCE: 50 OHMS
- 2 FREQUENCY RANGE: DC-18 GHZ





RECOMMENDED MOUNTING HOLE

PART NO.	LENGTH
HF141-SMPLF-NF4HF-I0	254 [10]
HF141-SMPLF-NF4HF-I4	355.6 [14]
HF141-SMPLF-NF4HF-XX	CUSTOM LENGTH IN INCHES

- NOTES:
- 1. UNLESS OTHERWISE SPECIFIED ALL DIMENSIONS ARE NOMINAL.
 - 2. ALL SPECIFICATIONS ARE SUBJECT TO CHANGED WITHOUT NOTICE AT ANY TIME.
 - 3. DIMENSIONS ARE IN MILLINMETERS, DIMENSIONS IN [] ARE IN INCHES
 - 4. LENGTH TOLERANCE IS ±1.5%.



TITLE
 CABLE ASSEMBLY, SMP RIGHT ANGLE FEMALE TO N
 STRAIGHT FEMALE 4 HOLE FLAGE, ANO HF141 CABLE

VIEW	PART NO. HF141-SMPLF-NF4HF-XX		
 	SIZE A3	SCALE 4:1	SHEET 1/1
			REV. A

4

3

2

1

D

C

B

A