

4

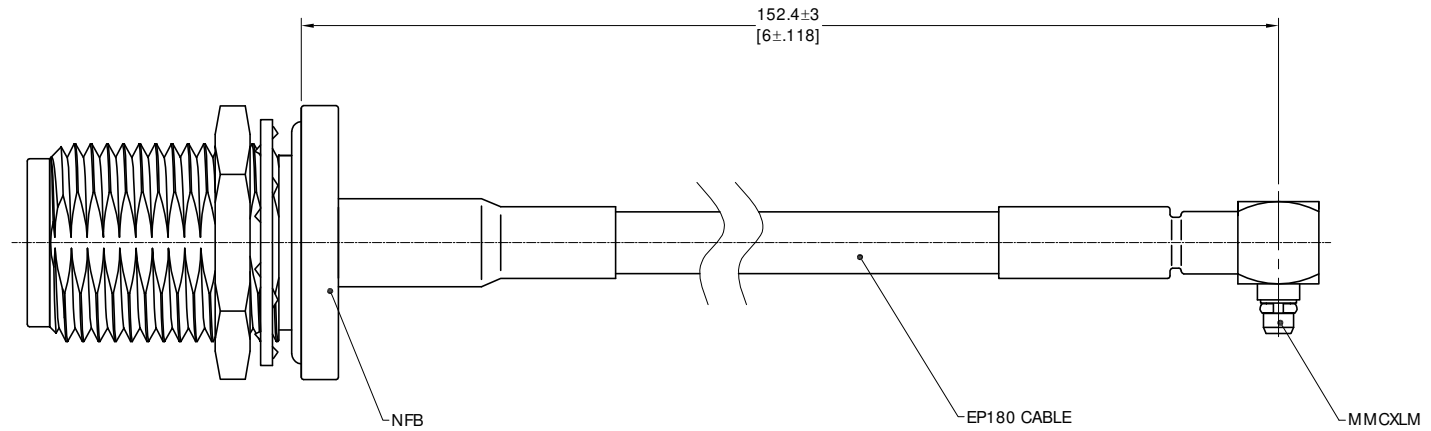
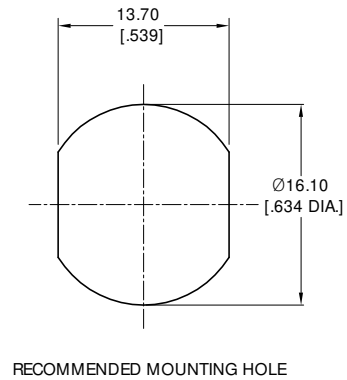
3

2

1

ELECTRICAL DATA:

- 1 IMPEDANCE: 50 Ω
- 2 FREQUENCY RANGE: DC-6 GHz
- 3 VSWR: 1.50 MAX
- 4 INSERTION LOSS: 0.9 dB MAX



TITLE
 CABLE ASSEMBLY, N STRAIGHT BULKHEAD FEMALE TO
 MMCX R/A MALE, EP180 CBALE, 6 INCHES

NOTES:
 1. UNLESS OTHERWISE SPECIFIED ALL DIMENSIONS ARE NOMINAL.
 2. ALL SPECIFICATIONS ARE SUBJECT TO CHANGED WITHOUT NOTICE AT ANY TIME
 3. DIMENSIONS ARE IN MILLIMETERS, DIMENSIONS IN [] ARE IN INCHES
 4. LENGTH TOLERANCE IS ±2%.

VIEW	PART NO. EP180-NFB-MMCXLM-6			
	SIZE A3	SCALE 2.5:1	SHEET 1/1	REV. A

4

3

2

1