

4 3 2 1

MATERIAL & FINISH:

- 1 BODY: STAINLESS STEEL, PASSIVATED
- 2 CENTER CONTACT: BERYLLIUM COPPER ALLOY, GOLD PLATED
- 3 INSULATOR: PEI

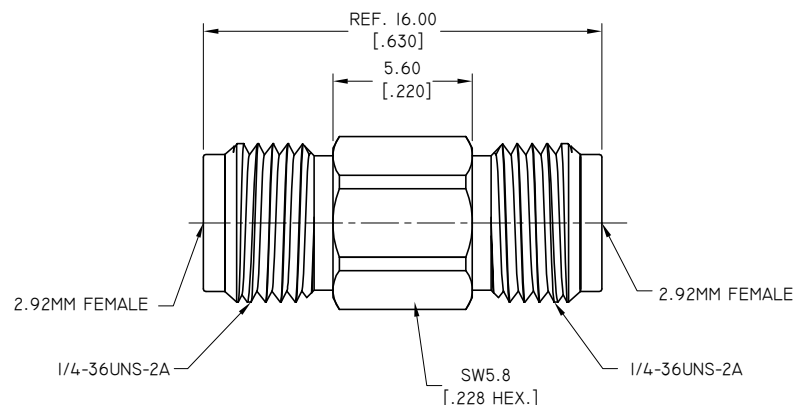
ELECTRICAL DATA:

- 1 IMPEDANCE: 50 Ω
- 2 FREQUENCY RANGE: 0.01GHZ-40GHZ
- 3 VSWR: 1.35 MAX.
- 4 INSERTION LOSS: 0.08X √F (GHZ)
- 5 AVERAGE POWER: 3W MAX.
- 6 DC VOLTAGE: 60V MAX.

REVISIONS			
REV.	DESCRIPTION	DATE	APPROVED
A	INITIAL RELEASE	10/24/23	J. Q

ENVIRONMENTAL DATA:

- 1 TEMPERATURE RANGE: -55 °C~+85 °C
- 2 2011/65/EU(RoHS) AND 2015/863/(RoHS): COMPLIANT
- 3 1907/2006/EC(REACH) AND 1999/45/EC(REACH): COMPLIANT



DRAWN	P. C	DATE	10/24/23
CHECKED	X. Y	DATE	10/24/23
APPROVED	J. Q	DATE	10/24/23
UNLESS OTHERWISE SPECIFIED DIMENSIONS ARE IN MILLIMETERS, DIMENSIONS IN [] ARE IN INCHES FOR CUSTOMER REFERENCE ONLY UNLESS OTHERWISE SPECIFIED TOLERANCE ARE:		THESE DRAWINGS AND SPECIFICATIONS ARE THE PROPERTY OF ANOISON ELECTRONICS LTD AND SHOULD NOT BE USED WITHOUT WRITTEN PERMISSION COPYRIGHT © 2023 ANOISON ELECTRONICS LTD	
.XX	±0.13 [.005"]		
.X	±0.25 [.010"]		
X	±0.50 [.019"]		
.X°	±1°		
X°	±2°		



TITLE			
DC BLOCK ON INNER CONDUCTOR 2.92MM FEMALE TO 2.92MM FEMALE OPERATING FROM 0.01GHZ TO 40GHZ			
VIEW	PART NO.		
	D29-A2		
SIZE	SCALE	SHEET	REV.
A3	5:1	1/1	A

4 3 2 1