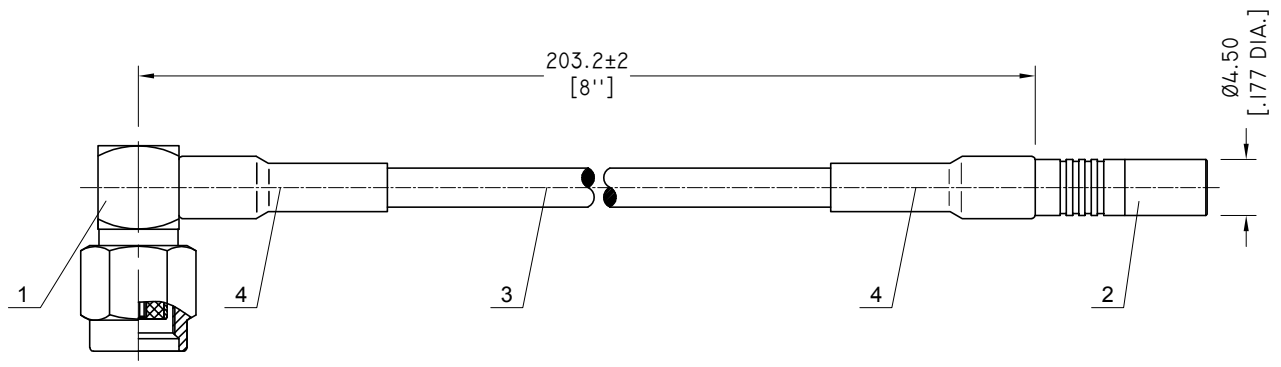


4 3 2 1

ELECTRICAL DATA:
 1. IMPEDANCE: 50 Ω
 2. FREQUENCY RANGE: DC~1 GHZ

REVISIONS			
REV.	DESCRIPTION	DATE	APPROVED
A	INITIAL RELEASE	03/19/20	J. QU



SEQUENCE NUMBER	PART NO.	DESCRIPTION	QTY
4		HEAT-SHRINK TUBE	2
3	RG178	RG178 CABLE	1
2	ANO 1811-2001	SSMB STRAIGHT PLUG SOLDER FOR RG178 CABLE	1
1	ANO 2123-2152	RP SMA RIGHT ANGLE MALE SOLDER FOR RG178 CABLE	1

DRAWN	P. CHEN	DATE	03/19/20
CHECKED	L. YANG	DATE	03/19/20
APPROVED	J. QU	DATE	03/19/20
UNLESS OTHERWISE SPECIFIED DIMENSIONS ARE IN MILLIMETERS, DIMENSIONS IN [] ARE IN INCHES FOR CUSTOMER REFERENCE ONLY UNLESS OTHERWISE SPECIFIED TOLERANCE ARE:		THESE DRAWINGS AND SPECIFICATIONS ARE THE PROPERTY OF ANOISON ELECTRONICS LTD AND SHOULD NOT BE USED WITHOUT WRITTEN PERMISSION COPYRIGHT © 2020 ANOISON ELECTRONICS LTD	
.XX	±0.13 [0.005"]		
.X	±0.20 [0.008"]		
X	±0.50 [0.019"]		
X°	±1°		
X"	±2°		

ANOISON

TITLE
 CABLE ASSEMBLY, RPSMA RIGHT ANGLE MALE TO SSMB STRAIGHT PLUG, RG178 CABLE, 8 INCHES

VIEW

PART NO.
 CAI78-RPSMARAM-SSMBM-8

SIZE	SCALE	SHEET	REV.
A3	2.5:1	1/1	A

4 3 2 1