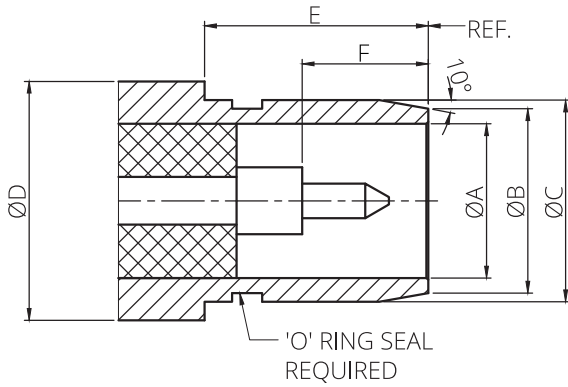
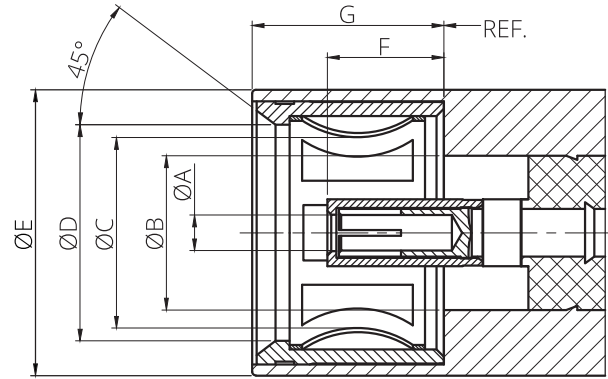


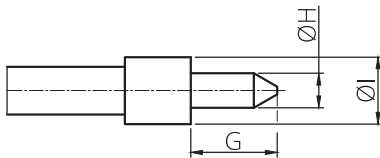
# BMA Interface Dimensions



Plug(Male Pin)



Jack(Female Socket)



## Interface Dimensions

| LTR. | Plug(Male Pin) |               | Jack(Female Socket) |               |
|------|----------------|---------------|---------------------|---------------|
|      | Min.(mm./in.)  | Max.(mm./in.) | Min.(mm./in.)       | Max.(mm./in.) |
| A    | 4.09/.161 nom. |               | 1.78/.070 nom.      |               |
| B    | 4.88/.192 nom. |               | 4.09/.161 nom.      |               |
| C    | 5.31/.209      | 5.35/.211     | —                   | 5.08/.200     |
| D    | 7.62/.300 nom. |               | 5.71/.225           | —             |
| E    | 5.03/.198      | —             | 7.37/.290           | —             |
| F    | 3.25/.128      | —             | 3.05/.120           | 3.23/.127     |
| G    | 2.29/.090 nom. |               | —                   | 5.03/.198     |
| H    | 0.90/.035      | 0.94/.037     |                     |               |
| I    | 1.78/.070 nom. |               |                     |               |

Interface dimensions conformable to the standards:

International: MIL-STD-348A/321