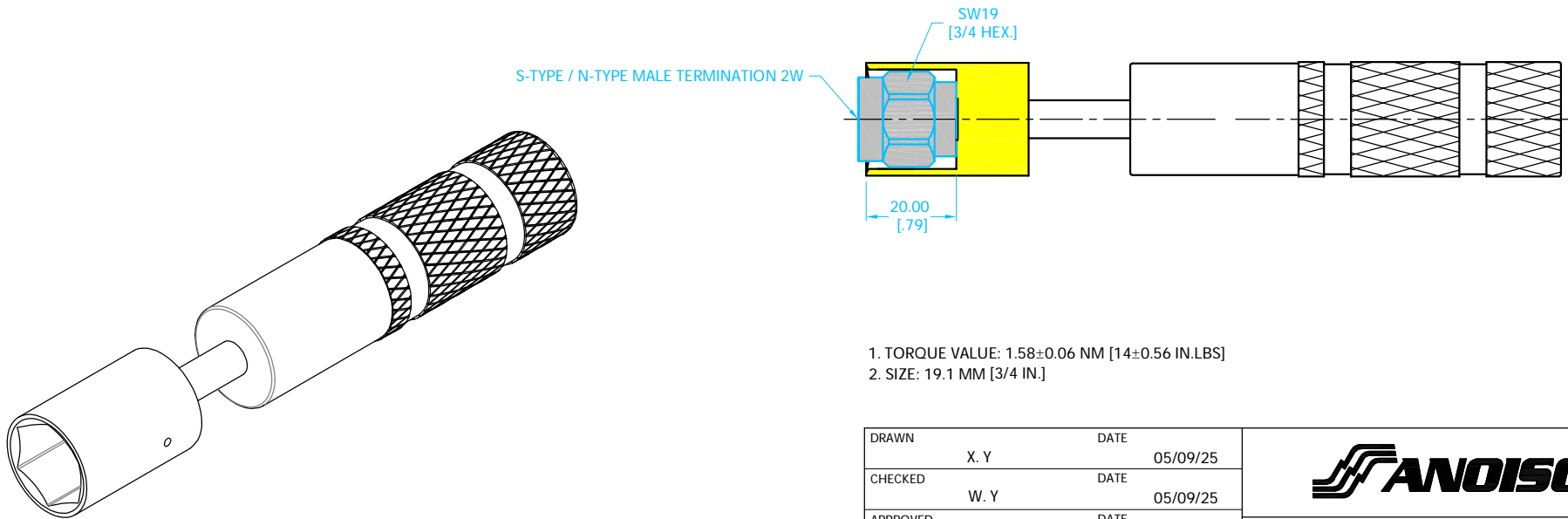
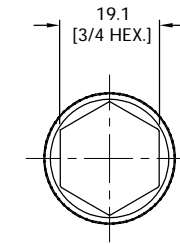
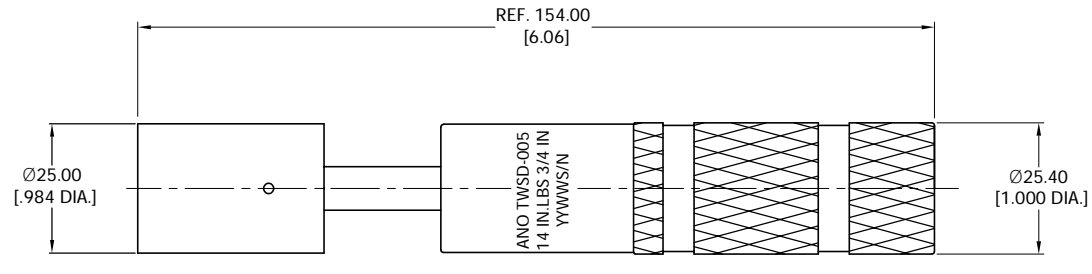


REVISIONS			
REV.	DESCRIPTION	DATE	APPROVED
A	INITIAL RELEASE	03/24/25	J. Q
B	154.00 [6.06] WAS 149.00 [5.87]	05/09/25	J. Q



- TORQUE VALUE: 1.58±0.06 NM [14±0.56 IN.LBS]
- SIZE: 19.1 MM [3/4 IN.]

DRAWN	X. Y	DATE	05/09/25
CHECKED	W. Y	DATE	05/09/25
APPROVED	J. Q	DATE	05/09/25
UNLESS OTHERWISE SPECIFIED DIMENSIONS ARE IN MILLIMETERS. DIMENSIONS IN [] ARE IN INCHES FOR CUSTOMER REFERENCE ONLY UNLESS OTHERWISE SPECIFIED TOLERANCE ARE:		THESE DRAWINGS AND SPECIFICATIONS ARE THE PROPERTY OF ANOISON ELECTRONICS LTD AND SHOULD NOT BE USED WITHOUT WRITTEN PERMISSION COPYRIGHT © 2025 ANOISON ELECTRONICS LTD	
.XX	±0.13 [.005"]		
.X	±0.20 [.008"]		
X	±0.50 [.019"]		
.X°	±1°		
X°	±2°		



TITLE			
TORQUE WRENCH IN SCREWDRIVER TYPE FOR S-TYPE / N-TYPE MALE TERMINATION 2W PRESET TORQUE= 1.58±0.06 NM [14±0.56 IN.LBS] HEX SIZE 19.1 MM [3/4 IN.]			
VIEW		PART NO.	
		ANO TWSD-005	
SIZE	SCALE	SHEET	REV.
A3	1:1	1/1	B