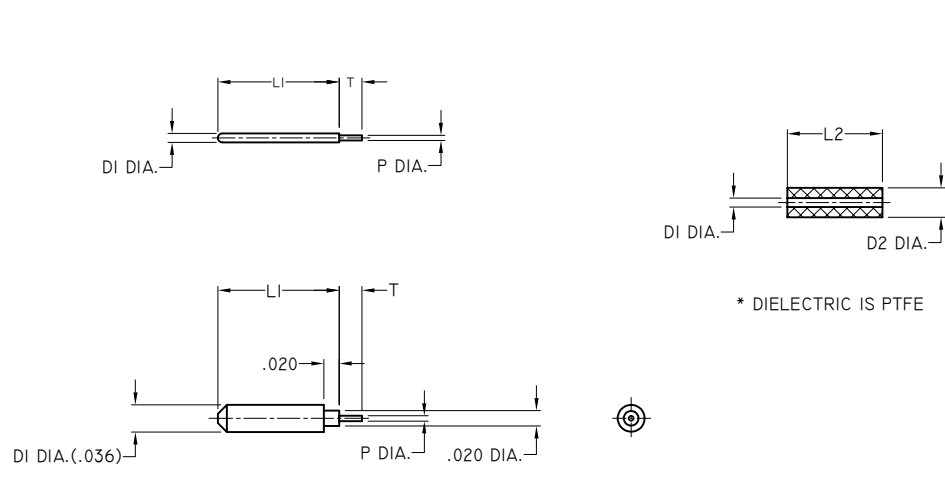


**MATERIAL & FINISH**

LAUNCH PIN: BERYLLIUM COPPER ALLOY, GOLD PLATING

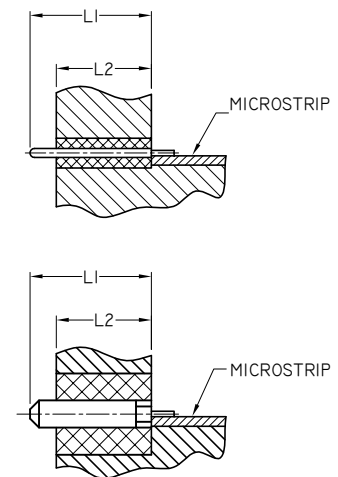
REV.	DESCRIPTION	DATE	APPROVED
A	INITIAL RELEASE	08/01/15	J. QU
B	RE-ENCODED	09/30/16	J. QU
C	DRAWING FORMAT CHANGED	04/16/19	J. QU

**DIELECTRIC TRANSITION**



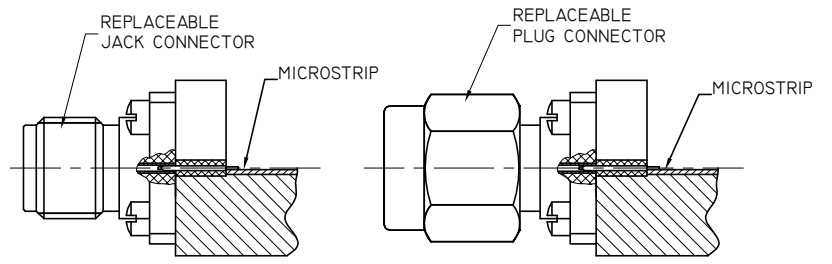
\* DIELECTRIC IS PTFE

\* APPLICABLE TO .036 PIN ONLY



.036	.117	.050	.010	.175	.125	M-010G	M-010P	M-010D
				.237	.187	M-009G	M-009P	M-009D
				.160	.125	M-008G	M-008P	M-008D
.020	.064			.225	.187	M-007G	M-007P	M-007D
.015	.048	.030	.007	.160	.125	M-006G	M-006P	M-006D
				.225	.187	M-005G	M-005P	M-005D
				.160	.125	M-004G	M-004P	M-004D
.012	.039			.225	.187	M-003G	M-003P	M-003D
.009	.029	.015	.003	.160	.125	M-002G	M-002P	M-002D
				.225	.187	M-001G	M-001P	M-001D
DI DIA.	D2 DIA.	T	P DIA.	L1	L2	LAUNCH PIN & DIELECTRIC*	LAUNCH PIN ONLY	DIELECTRIC* ONLY
ACCESSORY NUMBERS								

**APPLICATION**



DRAWN	W. YANG	DATE	05/10/19
CHECKED	X. B. YANG	DATE	05/10/19
APPROVED	J. QU	DATE	05/10/19



UNLESS OTHERWISE SPECIFIED DIMENSIONS ARE IN MILLIMETERS, DIMENSIONS IN [ ] ARE IN INCHES FOR CUSTOMER REFERENCE ONLY UNLESS OTHERWISE SPECIFIED TOLERANCE ARE:  
 .XX ±0.13 [.005"]  
 .X ±0.20 [.008"]  
 X ±0.50 [.019"]  
 X° ±1°  
 X° ±2°

THESE DRAWINGS AND SPECIFICATIONS ARE THE PROPERTY OF ANOISON ELECTRONICS LTD AND SHOULD NOT BE USED WITHOUT WRITTEN PERMISSION COPYRIGHT © 2019 ANOISON ELECTRONICS LTD

TITLE  
**LAUNCH PIN TRANSITIONS TO MICROSTRIP CIRCUITS FOR PANEL MOUNT CONNECTORS**

VIEW	PART NO. M-XXX			
	SIZE A3	SCALE 4:1	SHEET 1/1	REV. C