

4

3

2

1

MATERIAL & FINISH:

- 1 BODY: BRASS, ALBALOY PLATED
- 2 CENTER CONTACT: PHOSPHOR BRONZE, ALBALOY PLATED
- 3 LOCKWASHER: PHOSPHOR BRONZE, ALBALOY PLATED
- 4 FASTENING NUT: BRASS, ALBALOY PLATED
- 5 INSULATOR: PTFE

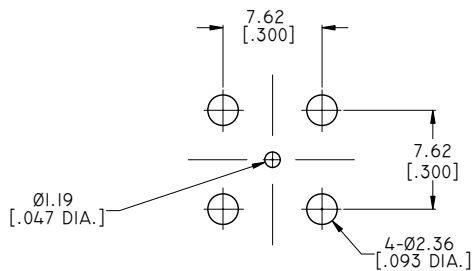
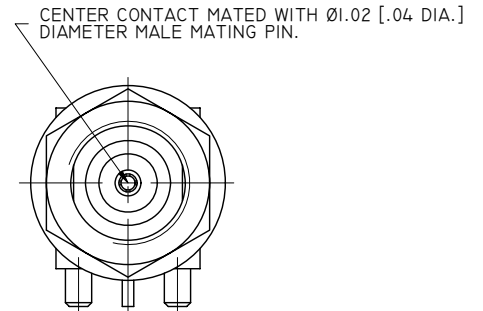
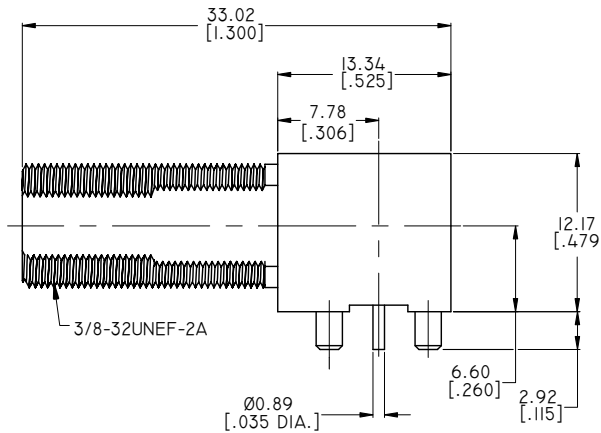
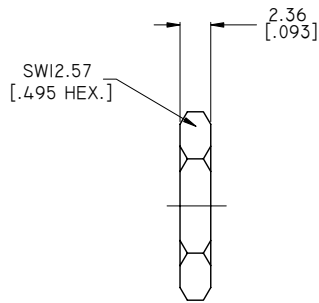
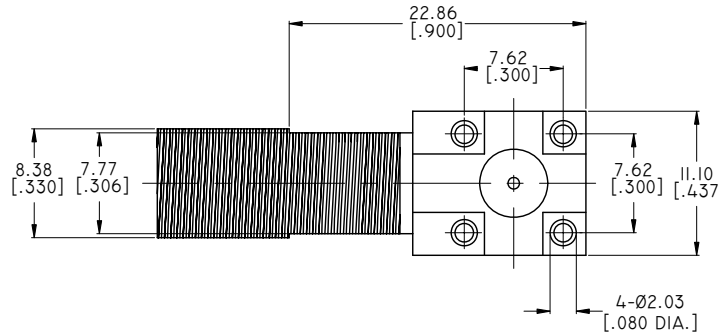
ELECTRICAL DATA:

- 1 IMPEDANCE: 75 Ω
- 2 FREQUENCY RANGE: DC~3GHZ

ENVIRONMENTAL DATA:

- 1 TEMPERATURE RANGE: -55°C~+125°C
- 2 2011/65/EU(RoHS) AND 2015/863/(RoHS): COMPLIANT
- 3 1999/45/EC(REACH): COMPLIANT

REVISIONS			
REV.	DESCRIPTION	DATE	APPROVED
A	INITIAL RELEASE	10/18/13	J. QU
B	1. 2015/863/(RoHS): COMPLIANT ADDED 2. 1999/45/EC(REACH): COMPLIANT ADDED	10/08/18	J. QU



RECOMMENDED MOUNTING HOLE

DRAWN	P. CHEN	DATE	10/08/18
CHECKED	X. B. YANG	DATE	10/08/18
APPROVED	J. QU	DATE	10/08/18
UNLESS OTHERWISE SPECIFIED DIMENSIONS ARE IN MILLIMETERS. DIMENSIONS IN [ ] ARE IN INCHES FOR CUSTOMER REFERENCE ONLY UNLESS OTHERWISE SPECIFIED TOLERANCE ARE:		THESE DRAWINGS AND SPECIFICATIONS ARE THE PROPERTY OF ANOISON ELECTRONICS LTD AND SHOULD NOT BE USED WITHOUT WRITTEN PERMISSION COPYRIGHT © 2018 ANOISON ELECTRONICS LTD	
.XX	±0.13 [.005"]		
.X	±0.20 [.008"]		
X	±0.50 [.019"]		
.X°	±1°		
X°	±2°		



TITLE  
75 OHM F FEMALE R/A BULKHEAD CONNECTOR SOLDER ATTACHMENT THRU HOLE PCB .380 INCH DD HOLE

VIEW	PART NO. ANO 9722-4011		
	SIZE A3	SCALE 2.5:1	SHEET 1/1
			REV. B

4

3

2

1