

1.0 MATERIAL & FINISH

1.1 BODY: BERYLLIUM COPPER ALLOY, GOLD PLATED

1.2 CENTER CONTACT: BERYLLIUM COPPER ALLOY, GOLD PLATED

1.3 INSULATOR: PTFE

2.0 ENVIRONMENTAL DATA:

2.1 TEMPERATURE RANGE: -55°C~+165°C

2.2 2011/65/EU (RoHS): COMPLIANT

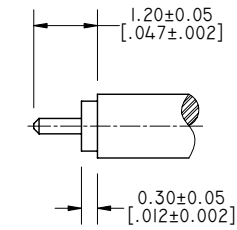
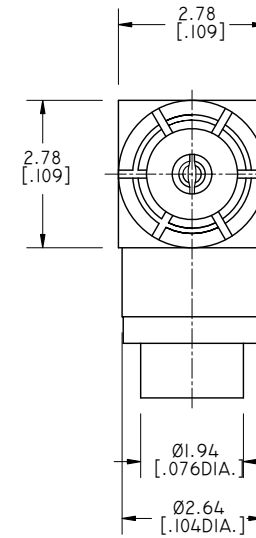
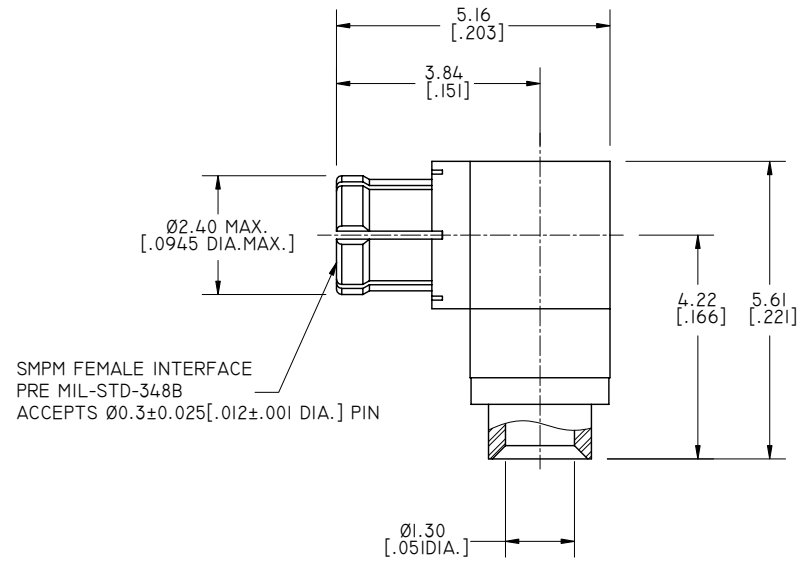
3.0 ELECTRICAL SPECIFICATIONS:

3.1 IMPEDANCE: 50 Ω

3.2 FREQUENCY RANGE: DC~65GHZ

3.3 VSWR: ≤1.15 AT DC~18 GHZ
≤1.30 AT 18~26.5 GHZ

REVISIONS			
REV.	DESCRIPTION	DATE	APPROVED
A	INITIAL RELEASE	06/12/16	J. QU



CABLE STRIPPING DIMENSIONS

DRAWN	P. CHEN	DATE	06/12/16
CHECKED	L. YANG	DATE	06/12/16
APPROVED	J. QU	DATE	06/12/16
UNLESS OTHERWISE SPECIFIED DIMENSIONS ARE IN MILLIMETERS. DIMENSIONS IN [] ARE IN INCHES FOR CUSTOMER REFERENCE ONLY UNLESS OTHERWISE SPECIFIED TOLERANCE ARE:		THESE DRAWINGS AND SPECIFICATIONS ARE THE PROPERTY OF ANOISON ELECTRONICS LTD AND SHOULD NOT BE USED WITHOUT WRITTEN PERMISSION COPYRIGHT © 2016 ANOISON ELECTRONICS LTD	
.XX	±0.13 [.005"]		
.X	±0.20 [.008"]		
X	±0.50 [.019"]		
.X°	±1°		
X°	±2°		



TITLE
SMPM R/A FEMALE SOLDER FOR .047 S/R CABLE

VIEW	PART NO. ANO 9422-2007		
	SIZE A3	SCALE 10:1	SHEET 1/1
	REV. A		