

4 3 2 1

REVISIONS			
REV.	DESCRIPTION	DATE	APPROVED
A	INITIAL RELEASE	02/28/20	J. QU

1.0 MATERIAL & FINISH

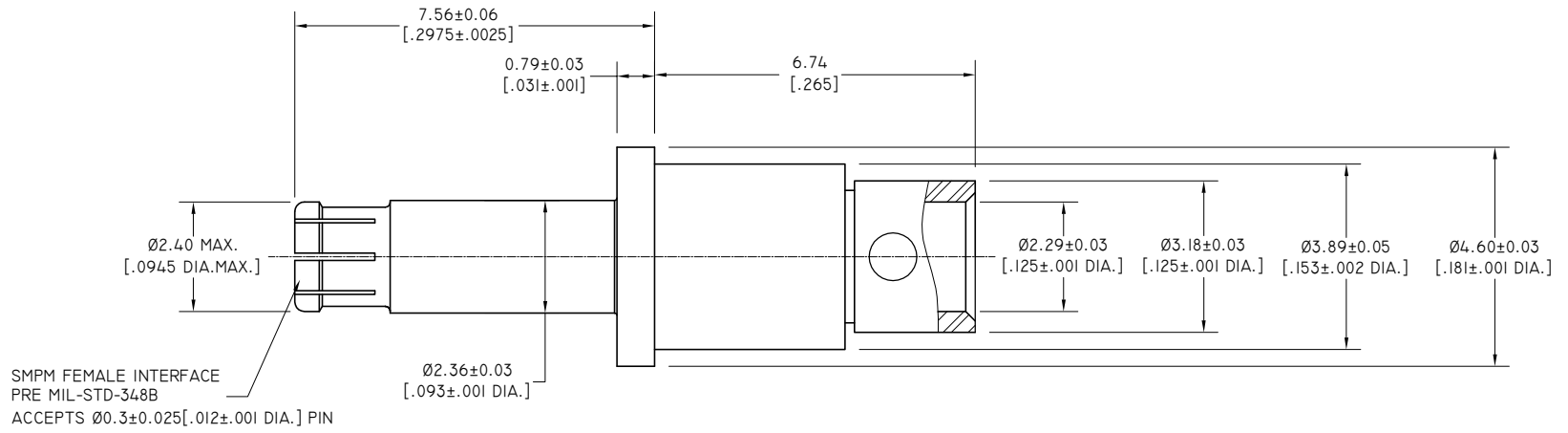
- 1 BODY: BERYLLIUM COPPER ALLOY, GOLD PLATED
- 2 CENTER CONTACT: BERYLLIUM COPPER ALLOY, GOLD PLATED
- 3 INSULATOR: PTFE

3.0 ELECTRICAL SPECIFICATIONS

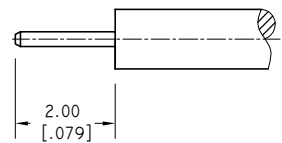
- 1 IMPEDANCE: 50 Ω
- 2 FREQUENCY RANGE: DC~65GHZ
- 3 VSWR: 1.30 TYP. AT DC~50GHZ
- 4 INSERTION LOSS: .12*SQRT(F IN GHZ)

2.0 ENVIRONMENTAL DATA

- 1 TEMPERATURE RANGE: -55 °C~+125 °C
- 2 2011/65/EU(RoHS) AND 2015/863/(RoHS): COMPLIANT
- 3 1999/45/EC(REACH): COMPLIANT



SMPM FEMALE INTERFACE
PRE MIL-STD-348B
ACCEPTS Ø0.3±0.025 [.012±.001 DIA.] PIN



CABLE STRIPPING DIMENSIONS

DRAWN	P. CHEN	DATE	02/28/20
CHECKED	L. YANG	DATE	02/28/20
APPROVED	J. QU	DATE	02/28/20
UNLESS OTHERWISE SPECIFIED DIMENSIONS ARE IN MILLIMETERS, DIMENSIONS IN [] ARE IN INCHES FOR CUSTOMER REFERENCE ONLY UNLESS OTHERWISE SPECIFIED TOLERANCE ARE:		THESE DRAWINGS AND SPECIFICATIONS ARE THE PROPERTY OF ANOISON ELECTRONICS LTD AND SHOULD NOT BE USED WITHOUT WRITTEN PERMISSION COPYRIGHT © 2020 ANOISON ELECTRONICS LTD	
.XX	±0.13 [.005"]		
.X	±0.20 [.008"]		
X°	±0.50 [.019"]		
X°	±1°		
X°	±2°		

TITLE
SMPM FEMALE T-FLEX 405 CABLE FIT M38999
SIZE I2 INSERT

VIEW

PART NO.
ANO 94I2-2043

SIZE A3	SCALE 10:1	SHEET 1/1	REV. A
-------------------	----------------------	---------------------	------------------

4 3 2 1