

4

3

2

1

**MATERIAL & FINISH:**

- 1 BODY: STAINLESS STEEL , PASSIVATED
- 2 CENTER CONTACT: BERYLLIUM COPPER ALLOY , GOLD PLATED
- 3 RETAINING RING: BERYLLIUM COPPER ALLOY, NICKEL PLATED
- 4 INSULATOR: PTFE
- 5 FERRULE: BERYLLIUM COPPER ALLOY, GOLD PLATED

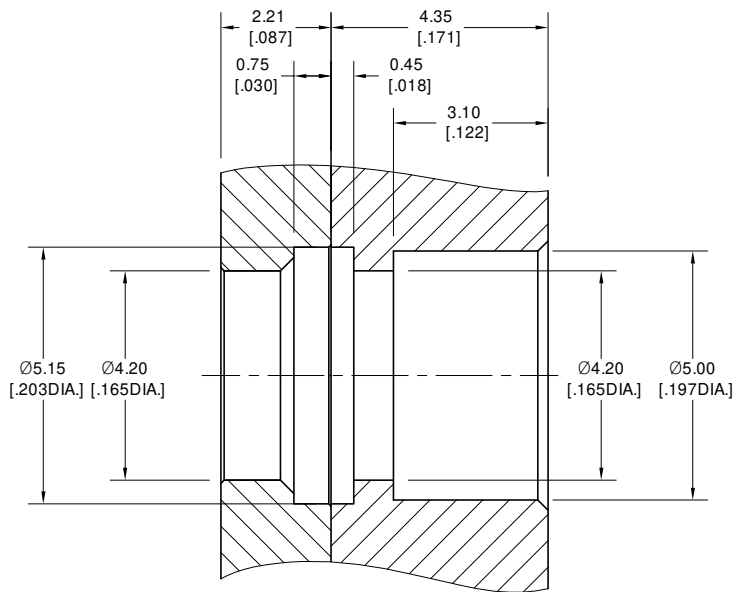
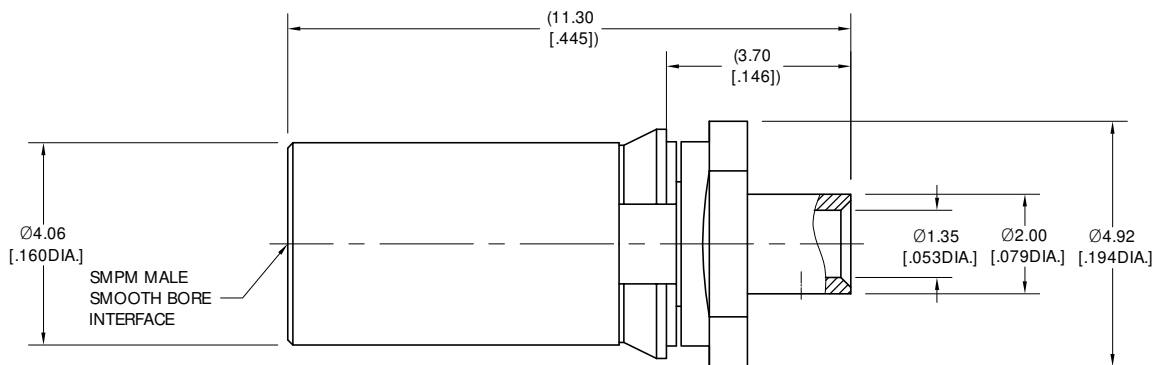
**ELECTRICAL DATA:**

- 1 IMPEDANCE: 50 Ω
- 2 FREQUENCY RANGE: DC~40 GHz
- 3 VSWR: 1.40 MAX. @ DC~26.5GHz

**ENVIRONMENTAL DATA:**

- 1 TEMPERATURE RANGE: -55 °C~+165 °C
- 2 2011/65/EU(RoHS) AND 2015/863/(RoHS): COMPLIANT
- 3 1999/45/EC(REACH): COMPLIANT

REVISIONS			
REV.	DESCRIPTION	DATE	APPROVED
A	INITIAL RELEASE	11/15/23	J Q



RECOMMENDED MOUNTING HOLE  
(TE BACKPLATE MODULE 2157553-1)

DRAWN	P. C	DATE	11/15/23
CHECKED	L. Y	DATE	11/15/23
APPROVED	J Q	DATE	11/15/23

UNLESS OTHERWISE SPECIFIED DIMENSIONS ARE IN MILLIMETERS, DIMENSIONS IN [ ] ARE IN INCHES FOR CUSTOMER REFERENCE ONLY UNLESS OTHERWISE SPECIFIED TOLERANCE ARE:

XX	±0.13 [.005"]
.X	±0.20 [.008"]
X	±0.50 [.019"]
.X°	±1°
X°	±2°

THESE DRAWINGS AND SPECIFICATIONS ARE THE PROPERTY OF ANOISON ELECTRONICS LTD AND SHOULD NOT BE USED WITHOUT WRITTEN PERMISSION COPYRIGHT © 2023 ANOISON ELECTRONICS LTD



TITLE  
SMPM MALE(SB) FOR .047 CABLE, VITA 67.1/2 PLUG-IN STYLE, FOR TE BACKPLATE MODULE 2157553-1

VIEW	PART NO. ANO 9411-2081	SIZE A3	SCALE 10:1	SHEET 1/1	REV. A
------	---------------------------	------------	---------------	--------------	-----------

4

3

2

1