

4 3 2 1

MATERIAL & FINISH:

- 1 BODY: BERYLLIUM COPPER ALLOY, GOLD PLATED
- 2 SPRING LATCH: BRASS, GOLD PLATED
- 3 CENTER CONTACT: BERYLLIUM COPPER ALLOY, GOLD PLATED
- 4 INSULATOR: PTFE
- 5 SOLDER FERRULE: BRASS, GOLD PLATED

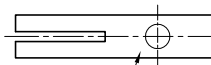
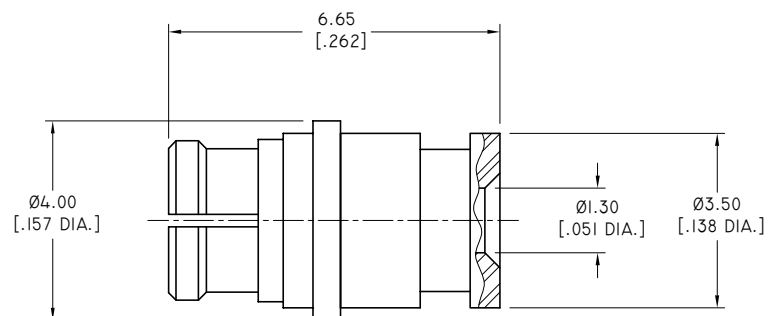
ELECTRICAL DATA:

- 1 IMPEDANCE: 50 Ω
- 2 FREQUENCY RANGE: DC~40GHZ
- 3 VSWR: ≤1.25 AT DC~26.5GHZ TYPICAL*

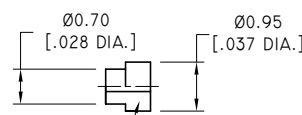
REVISIONS			
REV.	DESCRIPTION	DATE	APPROVED
A	INITIAL RELEASE	02/12/20	J. QU
B	ADDED CABLE TITLE	03/06/20	J. QU

ENVIRONMENTAL DATA:

- 1 TEMPERATURE RANGE: -55°C~+125°C
- 2 2011/65/EU(RoHS) AND 2015/863/(RoHS): COMPLIANT
- 3 1999/45/EC(REACH): COMPLIANT

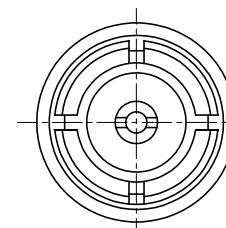


CENTER CONTACT

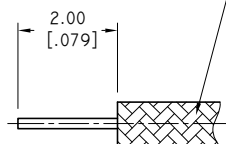


INSULATOR

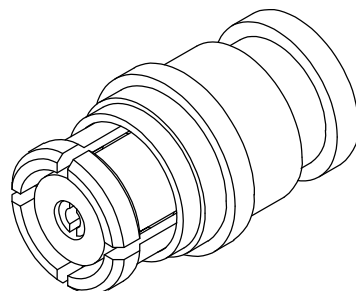
SOLDER FERRULE



1 COND FEP INS.BS.NO
JKT CBL (CALMONT)



CABLE STRIPPING DIMENSIONS



* USERS ARE CAUTIONED THAT PERFORMANCE IS DEPENDENT ON THE SPECIFIC CABLE SELECTED AND CABLE PREPARATION AND TERMINATION, WHICH IS BEYOND THE CONTROL OF ANOISON ELECTRONICS.

DRAWN	P. CHEN	DATE	03/06/20
CHECKED	L. YANG	DATE	03/06/20
APPROVED	J. QU	DATE	03/06/20



UNLESS OTHERWISE SPECIFIED DIMENSIONS ARE IN MILLIMETERS, DIMENSIONS IN [] ARE IN INCHES FOR CUSTOMER REFERENCE ONLY UNLESS OTHERWISE SPECIFIED TOLERANCE ARE:

.XX	±0.08 [.003"]
.X	±0.20 [.008"]
X	±0.50 [.019"]
.X°	±1°
X°	±2°

THESE DRAWINGS AND SPECIFICATIONS ARE THE PROPERTY OF ANOISON ELECTRONICS LTD AND SHOULD NOT BE USED WITHOUT WRITTEN PERMISSION COPYRIGHT © 2020 ANOISON ELECTRONICS LTD

TITLE			
SMP STRAIGHT FEMALE SOLDER FOR .027 CABLE			
VIEW	PART NO.		
	ANO 9312-2114		
SIZE	SCALE	SHEET	REV.
A3	10:1	1/1	B

4 3 2 1