

MATERIAL & FINISH:  
1 BODY: STAINLESS STEEL, PASSIVATED

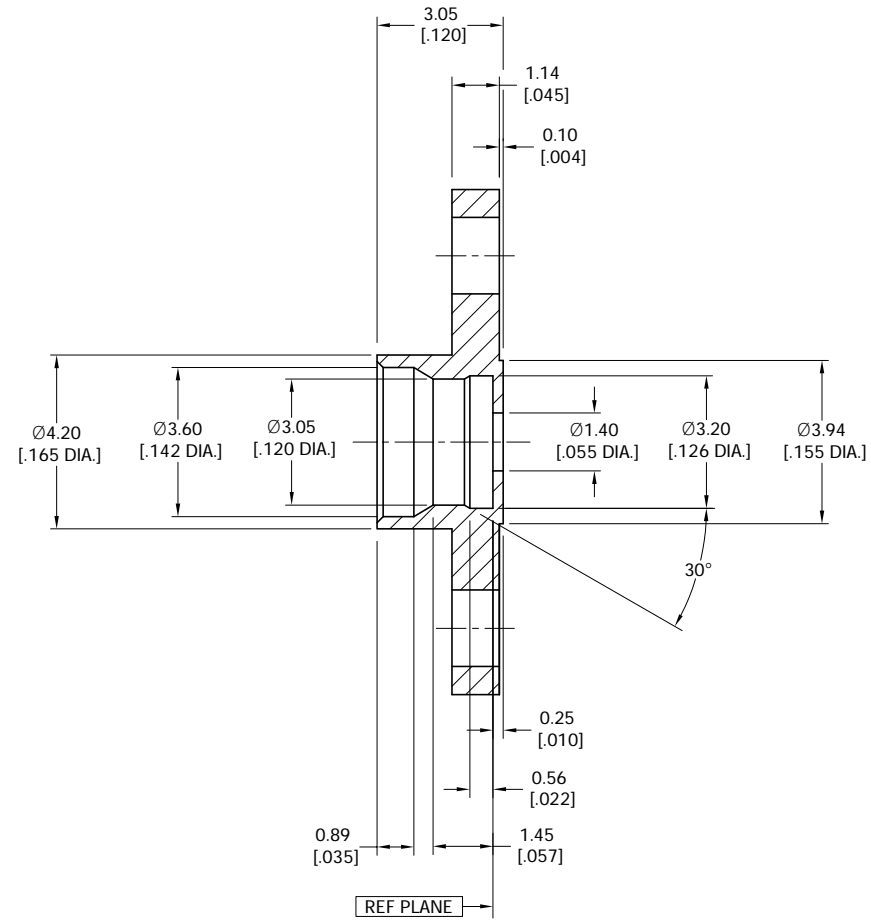
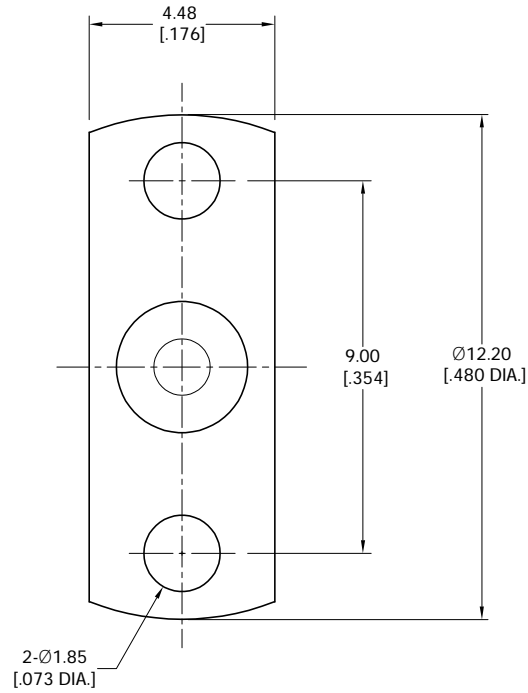
ENVIRONMENTAL DATA:  
1 TEMPERATURE RANGE: -55°C ~ +125°C  
2 2011/65/EU(RoHS) AND 2015/863/(RoHS): COMPLIANT  
3 REACH SVHC247: COMPLIANT

ELECTRICAL DATA:  
1 IMPEDANCE: 50 Ω  
2 FREQUENCY RANGE: DC~40 GHz

MECHANICAL DATA:  
1 INTERFACE: MIL-STD-348

REVISIONS

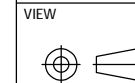
REV.	DESCRIPTION	DATE	APPROVED
A	INITIAL RELEASE	09/05/25	J. Q



DRAWN	X. Y	DATE	09/05/25
CHECKED	W. Y	DATE	09/05/25
APPROVED	J. Q	DATE	09/05/25
UNLESS OTHERWISE SPECIFIED DIMENSIONS ARE IN MILLIMETERS. DIMENSIONS IN [ ] ARE IN INCHES FOR CUSTOMER REFERENCE ONLY UNLESS OTHERWISE SPECIFIED TOLERANCE ARE:		THESE DRAWINGS AND SPECIFICATIONS ARE THE PROPERTY OF ANOISON ELECTRONICS LTD AND SHOULD NOT BE USED WITHOUT WRITTEN PERMISSION COPYRIGHT © 2025 ANOISON ELECTRONICS LTD	
.XX	±0.13 [0.005"]		
.X	±0.20 [0.008"]		
X	±0.50 [0.019"]		
.X°	±1°		
X°	±2°		



TITLE  
SMP STRAIGHT MALE LIMITED DETENT  
2 HOLE FLANGE MOUNT SHROUD, .354 SPACING



PART NO. ANO 9311-3116-2			
SIZE A3	SCALE 8:1	SHEET 1/1	REV. A