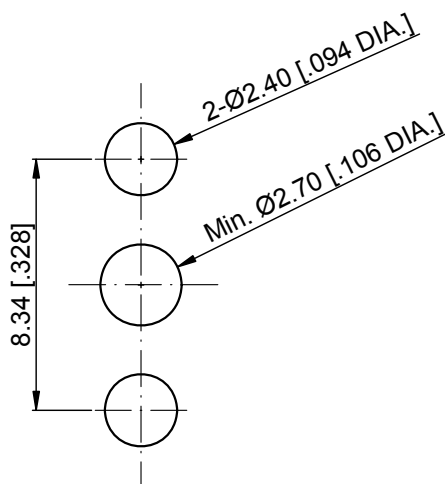
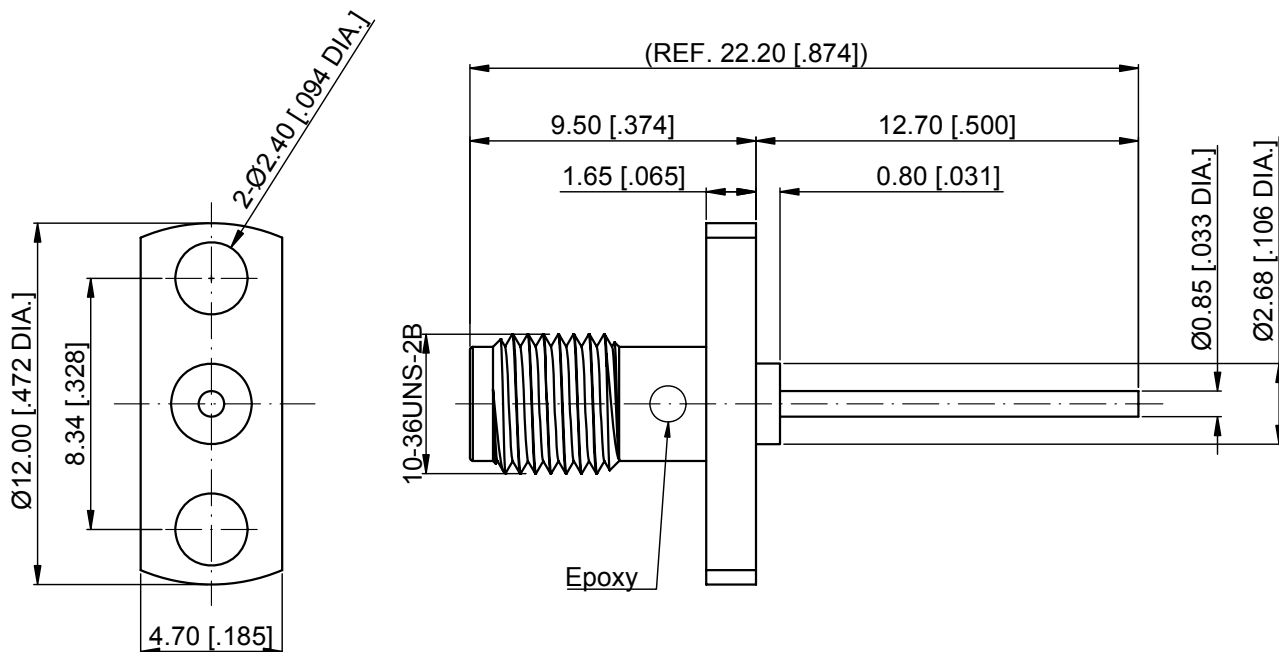


DESCRIPTION	MATERIAL	FINISH
Center Contact	Beryllium Copper Alloy	Gold
Body	Stainless Steel	Passivated
Insulator	PTFE	_____

Technical Data

1. Impedance: 50 Ω
2. Voltage rating: 250 VRMS max.
3. Temp. range: -65~+125 °C
4. Frequency range: DC~18GHz
5. Dielectric withstanding voltage: 750 VRMS max.
6. Contact resistance
Center contact: 2 mΩ max
Outer contact: 2 mΩ max



NOTES:

1. ALL SPECIFICATIONS ARE SUBJECT TO CHANGE WITHOUT NOTICE AT ANY TIME
2. CUSTOMER OUTLINE DRAWING FOR REFERENCE ONLY

Recommended Mounting Hole

Extended Length	_____	11/22/12	B	Drawn: L. Yang 11/22/12
Release to Mfg.	_____	11/21/12	A	Checked: X. B. Yang 11/22/12
Description	Ecn.No	Date	Rev	Approved: J. Qu 11/22/12

Title:

**SSMA 2 Hole Flange Mount
Female Receptacle**



Unless otherwise specified dimensions are in millimeters, dimensions in [] are in inches for customer reference only.

Unless Otherwise Specified tolerance are:

- .XX ±0.13 [.005"]
- .X ±0.20 [.008"]
- X ±0.50 [.019"]
- .X° ±1°
- X° ±2°

View:



Part No:

ANO 9112-3027

Size:	Scale:	Sheet:	Rev:
A4	4:1	1/1	A