

4

3

2

1

MATERIAL & FINISH:

- 1 BODY: STAINLESS STEEL, PASSIVATED
- 2 CENTER CONTACT: BERYLLIUM COPPER, GOLD PLATED
- 3 INSULATOR: PEI

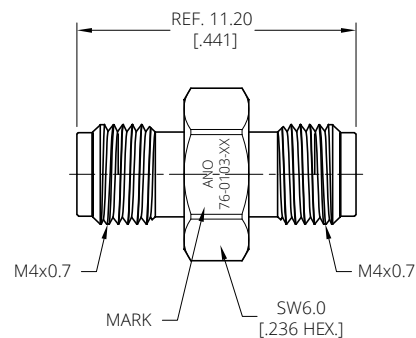
ENVIRONMENTAL DATA:

- 1 TEMPERATURE RANGE: -55°C~+125°C
- 2 2011/65/EU(RoHS) AND 2015/863/(RoHS): COMPLIANT
- 3 1907/2006/EC(REACH) AND 1999/45/EC(REACH): COMPLIANT
- 4 WEIGHT: 5g

ELECTRICAL DATA:

- 1 IMPEDANCE: 50 Ω
- 2 FREQUENCY RANGE: DC~110 GHz
- 3 VSWR: 1.50 MAX.
- 4 AVERAGE POWER: MAXIMUM POWER 1 WATTS AVERAGE TO 25°C AMBIENT TEMPERATURE, DERATED LINEARLY TO 0.1W @ 100°C
- 5 PEAK POWER: MAXIMUM POWER 10W (MAX. 5 PULSE WIDTH, MAX. 5% DUTY CYCLE)
- 6 ATTENUATOR ACCURACY: SEE TABLE

REVISIONS			
REV.	DESCRIPTION	DATE	APPROVED
A	INITIAL RELEASE	05/20/24	J. Q
B	ADDED MARK	05/23/24	J. Q



PART NO.	ATTENUATION VALUES & ACCURACY					
	3 DB	5 DB	6 DB	10 DB	13 DB	20 DB
ANO 76-0104-XX	±1.0 DB	±1.0 DB	±1.0 DB	±1.0 DB	±1.0 DB	±1.0 DB

NOTE: XX REFER TO ATTENUATION VALUE IN DB

DRAWN	W. Y	DATE	05/23/24
CHECKED	X. Y	DATE	05/23/24
APPROVED	J. Q	DATE	05/23/24
UNLESS OTHERWISE SPECIFIED DIMENSIONS ARE IN MILLIMETERS, DIMENSIONS IN [] ARE IN INCHES FOR CUSTOMER REFERENCE ONLY UNLESS OTHERWISE SPECIFIED TOLERANCE ARE:		THESE DRAWINGS AND SPECIFICATIONS ARE THE PROPERTY OF ANOISON ELECTRONICS LTD AND SHOULD NOT BE USED WITHOUT WRITTEN PERMISSION COPYRIGHT © 2024 ANOISON ELECTRONICS LTD	
	XX	±0.13 [005"]	
	X	±0.25 [010"]	
	X	±0.50 [019"]	
	X*	±1°	
	X*	±2°	



TITLE			
ATTENUATOR 1MM FEMALE TO 1MM FEMALE, 1W, DC-110GHz			
VIEW	PART NO.		
	ANO 76-0104-XX		
SIZE	SCALE	SHEET	REV.
A3	5:1	1/1	B

4

3

2

1