

4

3

2

1

REVISIONS

REV.	DESCRIPTION	DATE	APPROVED
A	INITIAL RELEASE	03/04/24	J. Q

MATERIAL & FINISH

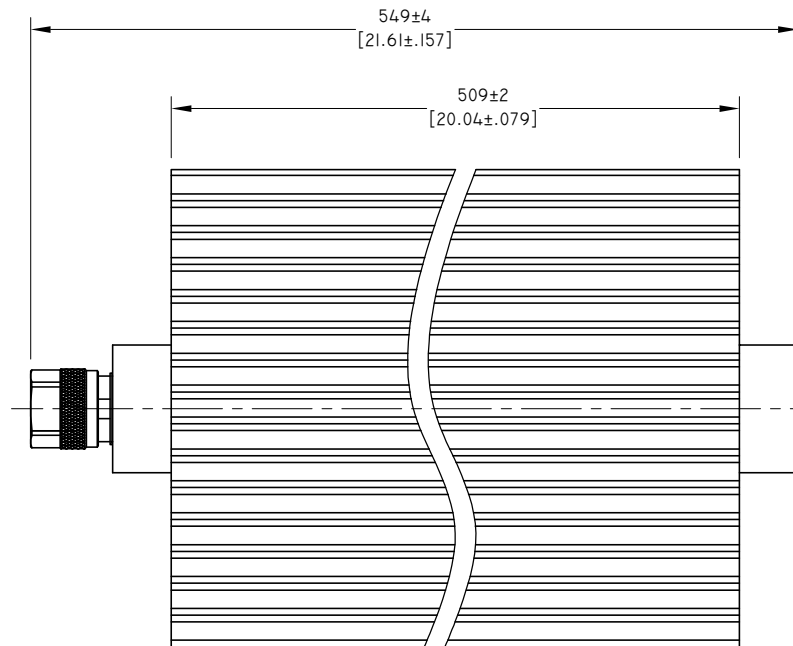
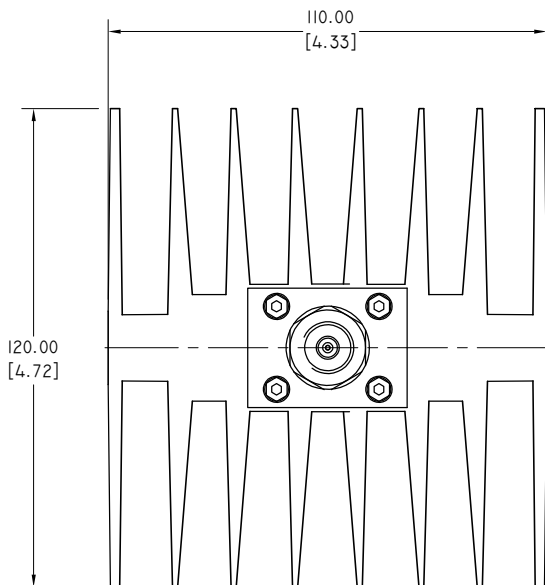
- 1 CONNECTOR BODY: BRASS, NICKEL PLATING
- 2 CENTER CONTACT: BRONZE, SILVER PLATED
- 3 INSULATOR: PTFE
- 4 RADIATOR: ALUMINIUM, BLACK

ENVIRONMENTAL DATA:

- 1 OPERATING TEMPERATURE RANGE: -55°C~+100°C
- 2 2015/863/(RoHS): COMPLIANT
- 3 1907/2006/EC(REACH) AND 1999/45/EC(REACH): COMPLIANT
- 4 WEIGHT: 7.5KG

ELECTRICAL DATA:

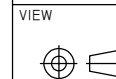
- 1 IMPEDANCE: 50 Ω
- 2 FREQUENCY RANGE: DC-18 GHZ
- 3 VSWR: 1.45 MAX.
- 4 AVERAGE POWER: 500 WATTS AVERAGE TO 25°C AMBIENT TEMPERATURE, DERATED LINEARLY TO 50W @ 100°C
- 5 PEAK POWER: 5000 W (100μS PULSE WIDTH WITH THE MAXIMUM 10% DUTY CYCLE)



DRAWN	W. Y	DATE	03/04/24
CHECKED	X. Y	DATE	03/04/24
APPROVED	J. Q	DATE	03/04/24
UNLESS OTHERWISE SPECIFIED DIMENSIONS ARE IN MILLIMETERS, DIMENSIONS IN [] ARE IN INCHES FOR CUSTOMER REFERENCE ONLY UNLESS OTHERWISE SPECIFIED TOLERANCE ARE:		THESE DRAWINGS AND SPECIFICATIONS ARE THE PROPERTY OF ANOISON ELECTRONICS LTD AND SHOULD NOT BE USED WITHOUT WRITTEN PERMISSION COPYRIGHT © 2024 ANOISON ELECTRONICS LTD	
.XX	±0.13 [.005"]		
.X	±0.20 [.008"]		
X°	±0.50 [.019"]		
X°	±1°		
X°	±2°		



TITLE
COAXIAL TERMINATION, N MALE 500 WATTS, DC-18GHZ



VIEW				PART NO. ANO 75I-260			
SIZE	SCALE	SHEET	REV.				
A3	1:1	1/1	A				

4

3

2

1