

4

3

2

1

MATERIAL & FINISH:

- 1 BODY: BRASS, NICKEL PLATED
- 2 CENTER CONTACT: BRASS, GOLD PLATED
- 3 INSULATOR: PTFE
- 4 COUPLING NUT: BRASS, NICKEL PLATED
- 5 O-RING: SILICONE RUBBER

ENVIRONMENTAL DATA:

- 1 TEMPERATURE RANGE: -55°C~+125°C
- 2 2011/65/EU(RoHS) AND 2015/863/(RoHS): COMPLIANT
- 3 1907/2006/EC(REACH): COMPLIANT

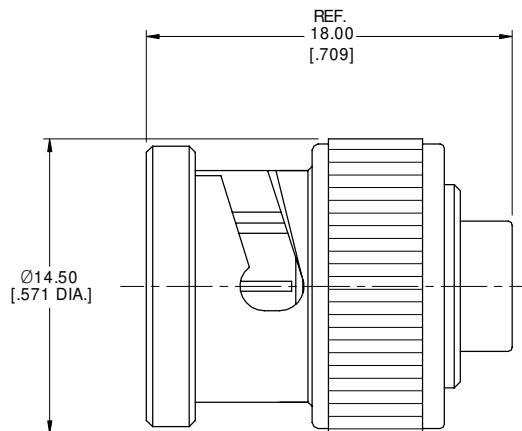
MECHANICAL DATA:

- 1 MATING CYCLES: 500 MIN.

ELECTRICAL DATA:

- 1 IMPEDANCE: 50 Ω
- 2 FREQUENCY RANGE: DC~2 GHz
- 3 VSWR: 1.30 MAX.
- 4 AVERAGE POWER: 2 WATTS AVERAGE TO 25°C AMBIENT TEMPERATRUE, DERATED LINEARLY TO 0.2 W @ 125°C
- 5 PEAK POWER: 200 W (5μS PULSE WIDTH WITH 0.8% DUTY CYCLE)

REVISIONS			
REV.	DESCRIPTION	DATE	APPROVED
A	INITIAL RELEASE	06/29/12	J Q
B	DRAWING CHANGED	04/27/18	J Q
C	1. FREQUENCY RANGE CHANGED 2. VSWR CHANGED 3. 2015/863/(RoHS) ADDED 4. 1907/2006/EC(REACH) AND 1999/45/EC(REACH) ADDED	03/22/19	J Q
D	18.00 [.709] WAS 28.10 [1.106]	04/22/24	J Q



DRAWN	X. Y	DATE	04/22/24							
CHECKED	W. Y	DATE	04/22/24							
APPROVED	J Q	DATE	04/22/24							
UNLESS OTHERWISE SPECIFIED DIMENSIONS ARE IN MILLIMETERS, DIMENSIONS IN [] ARE IN INCHES FOR CUSTOMER REFERENCE ONLY UNLESS OTHERWISE SPECIFIED TOLERANCE ARE:		THESE DRAWINGS AND SPECIFICATIONS ARE THE PROPERTY OF ANOISON ELECTRONICS LTD AND SHOULD NOT BE USED WITHOUT WRITTEN PERMISSION COPYRIGHT © 2024 ANOISON ELECTRONICS LTD		TITLE	COAXIAL TERMINATION BNC MALE WITH CHAIN, 2 WATTS, DC~2 GHz					
.XX ±0.13 [.005"] X ±0.20 [.008"] X ±0.50 [.019"] X° ±1° X° ±2°		VIEW		PART NO.	ANO 731-101					
		SIZE		A3	SCALE	4:1	SHEET	1/1	REV.	D

4

3

2

1