

4

3

2

1

REVISIONS			
REV.	DESCRIPTION	DATE	APPROVED
A	INITIAL RELEASE	12/25/24	J. QU

MATERIAL & FINISH

- 1 BODY: STAINLESS STEEL, PASSIVATED
- 2 CENTER CONTACT: BERYLLIUM COPPER ALLOY, GOLD PLATED
- 3 COUPLING NUT: STAINLESS STEEL, PASSIVATED
- 4 INSULATOR: PEI

ENVIRONMENTAL DATA:

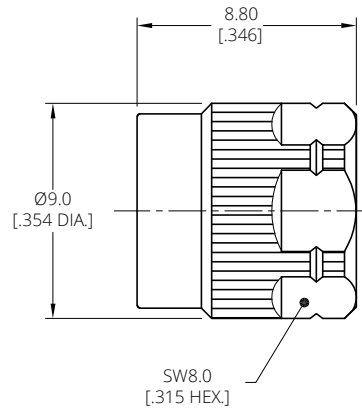
- 1 OPERATING TEMPERATURE RANGE: -55°C~+125°C
- 2 STORAGE TEMPERATURE RANGE: -55°C~+125°C
- 3 2011/65/EU (RoHS): COMPLIANT

ELECTRICAL DATA:

- 1 IMPEDANCE: 50 OHMS
- 2 FREQUENCY RANGE: DC~50 GHz
- 3 VSWR: 1.20 MAX.
- 4 AVERAGE POWER: 2 WATTS AVERAGE TO 25°C AMBIENT TEMPERATRU, DERATED LINEARLY TO 0.3 W @ 100°C
- 5 PEAK POWER: MAXIMUM POWER 100 W (5μS PULSE WIDTH WITH THE MAXIMUM 1% DUTY CYCLE)

MECHANICAL DATA:

- 1 MATING CYCLES: 500 MIN.



DRAWN	W. Y	DATE	12/25/24
CHECKED	X. Y	DATE	12/25/24
APPROVED	J. QU	DATE	12/25/24
UNLESS OTHERWISE SPECIFIED DIMENSIONS ARE IN MILLIMETERS, DIMENSIONS IN [] ARE IN INCHES FOR CUSTOMER REFERENCE ONLY UNLESS OTHERWISE SPECIFIED TOLERANCE ARE:		THESE DRAWINGS AND SPECIFICATIONS ARE THE PROPERTY OF ANOISON ELECTRONICS LTD AND SHOULD NOT BE USED WITHOUT WRITTEN PERMISSION COPYRIGHT © 2024 ANOISON ELECTRONICS LTD	
XX	±0.13 [0.005"]		
X	±0.20 [0.008"]		
x	±0.50 [0.019"]		
X°	±1°		
x°	±2°		



TITLE
COAXIAL TERMINATION, 2.4MM MALE, 2 WATTS, DC~50GHz

VIEW	PART NO. ANO 722-112		
	SIZE A3	SCALE 5:1	SHEET 1/1
		REV. A	

4

3

2

1