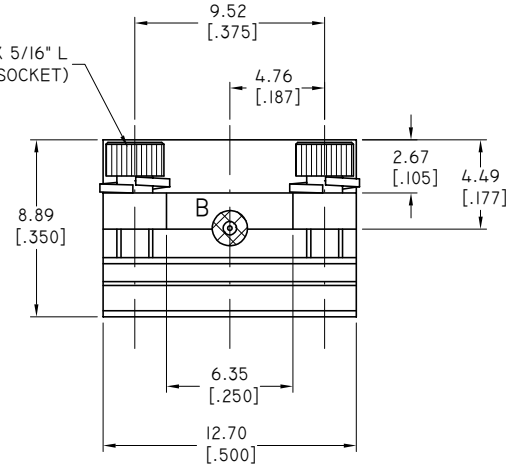
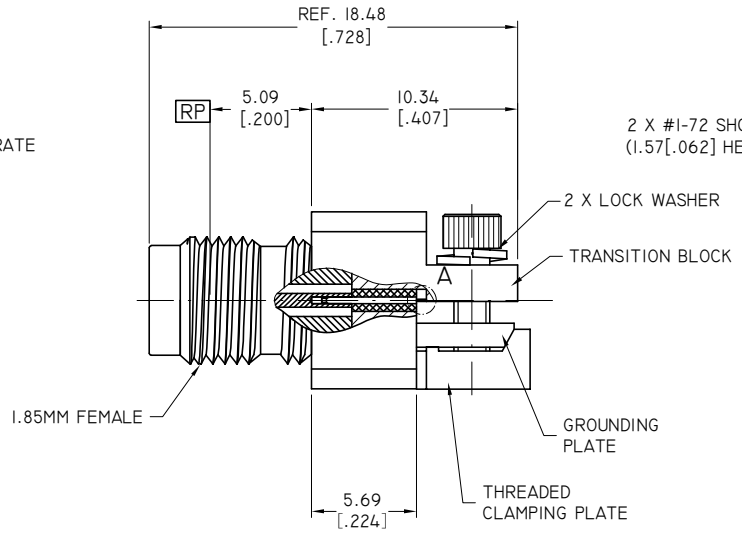
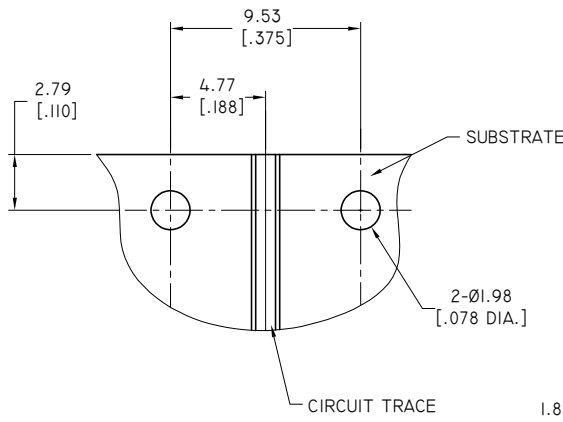


REVISIONS			
REV.	DESCRIPTION	DATE	APPROVED
A	INITIAL RELEASE	02/07/22	J. QU



2.4MM CONNECTOR

1. BODY: STAINLESS STEEL, PASSIVATED
2. CENTER CONTACT: BERYLLIUM COPPER ALLOY, GOLD PLATED
3. INSULATOR: PEI

TRANSITION BLOCK

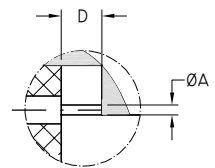
1. TRANSITION BLOCK: BRASS, NICKEL PLATED
2. THREADED CLAMPING PLATE: BRASS, NICKEL PLATED
3. LAUNCH PIN: BERYLLIUM COPPER ALLOY, GOLD PLATED
4. TRANSITION BLOCK DIELECTRIC: PTFE

ENVIRONMENTAL DATA:

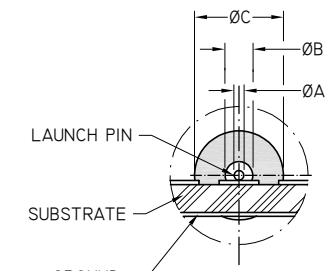
1. TEMPERATURE RANGE: -55°C~+125°C
2. 2011/65/EU (RoHS): COMPLIANT

ELECTRICAL SPECIFICATIONS:

1. IMPEDANCE: 50 Ω
2. FREQUENCY RANGE: DC~67 GHz



DETAIL A



DETAIL B

PART NO.	Ø A	Ø B	Ø C	D
ANO 622-C1	0.13 [.005]	0.23 [.009]	0.75 [.0295]	0.76 [.030]

DRAWN	W. YANG	DATE	02/07/22
CHECKED	X. B. YANG	DATE	02/07/22
APPROVED	J. QU	DATE	02/07/22
UNLESS OTHERWISE SPECIFIED DIMENSIONS ARE IN MILLIMETERS, DIMENSIONS IN [] ARE IN INCHES FOR CUSTOMER REFERENCE ONLY UNLESS OTHERWISE SPECIFIED TOLERANCE ARE:		THESE DRAWINGS AND SPECIFICATIONS ARE THE PROPERTY OF ANOISON ELECTRONICS LTD AND SHOULD NOT BE USED WITHOUT WRITTEN PERMISSION COPYRIGHT © 2022 ANOISON ELECTRONICS LTD	
.XX	±0.13 [.005"]		
.X	±0.20 [.008"]		
X°	±0.50 [.019"]		
X*	±1°		
X*	±2°		



TITLE				
1.85MM FEMALE END LAUNCH CONNECTOR SUPER SMALL END LAUNCH-WIDE				
VIEW	PART NO.			
	ANO 622-C1			
SIZE	SCALE	SHEET	REV.	
A3	4:1	1/1	A	