

4

3

2

1

REVISIONS

REV.	DESCRIPTION	DATE	APPROVED
A	INITIAL RELEASE	03/23/23	J. Q

MATERIAL & FINISH:

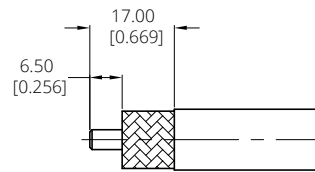
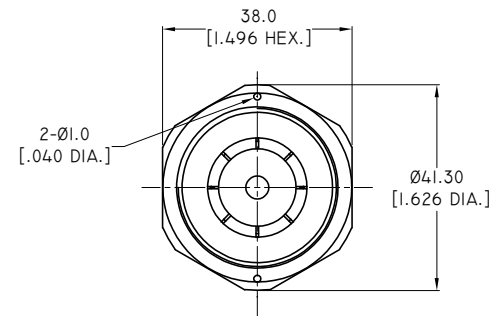
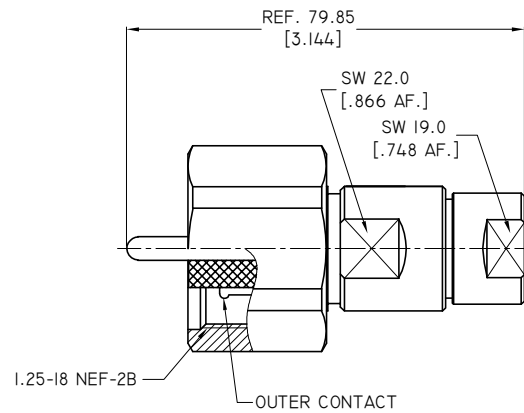
- 1 OUTER CONTACT: BRASS, SILVER PLATED
- 2 CENTER CONTACT: BRASS, SILVER PLATED
- 3 BODY: BRASS, NICKEL PLATED
- 4 COUPLING NUT: BRASS, NICKEL PLATED
- 5 REATINING RING: PHOSPHOR BRONZE, NICKEL PLATED
- 6 INSULATOR: PTFE
- 7 GASKET: MVQ(SILICONE RUBBER)

ELECTRICAL DATA:

- 1 IMPEDANCE: 50 Ω
- 2 FREQUENCY RANGE: DC-1 GHZ
- 3 VSWR: ≤1.50

ENVIRONMENTAL DATA:

- 1 TEMPERATURE RANGE: -55°C~+125°C
- 2 2011/65/EU(RoHS) AND 2015/863/(RoHS): COMPLIANT
- 3 1999/45/EC(REACH): COMPLIANT



CABLE STRIPPING DIMENSIONS

DRAWN	W. Y	DATE	03/23/23
CHECKED	X. Y	DATE	03/23/23
APPROVED	J. Q	DATE	03/23/23

UNLESS OTHERWISE SPECIFIED DIMENSIONS ARE IN MILLIMETERS, DIMENSIONS IN [] ARE IN INCHES FOR CUSTOMER REFERENCE ONLY UNLESS OTHERWISE SPECIFIED TOLERANCE ARE:

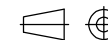
.XX	±0.13 [.005"]
.X	±0.20 [.008"]
X	±0.50 [.019"]
X°	±1°
X"	±2°

THESE DRAWINGS AND SPECIFICATIONS ARE THE PROPERTY OF ANOISON ELECTRONICS LTD AND SHOULD NOT BE USED WITHOUT WRITTEN PERMISSION COPYRIGHT © 2023 ANOISON ELECTRONICS LTD



TITLE
LC STRAIGHT PLUG SOLDER FOR PLEX480S CABLE

VIEW



PART NO.

ANO 5811-2008

SIZE A3

SCALE 1:1

SHEET 1/1

REV. A

4

3

2

1