

4

3

2

1

MATERIAL & FINISH

- 1 BODY: BRASS, ALBALOY PLATED
- 2 CENTER CONTACT:PHOSPHOR BRONZE, SILVER PLATED
- 3 INSULATOR: PTFE

ENVIRONMENTAL DATA:

- 1 TEMPERATURE RANGE: -55°C~+125°C
- 2 2011/65/EU (RoHS): COMPLIANT

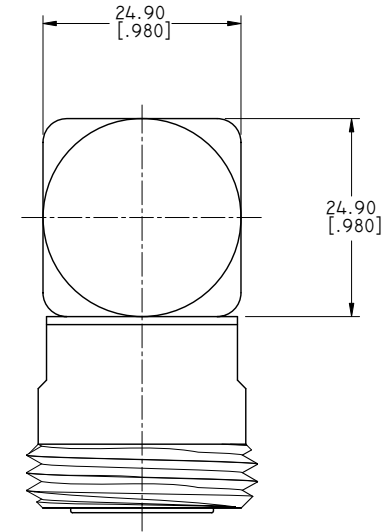
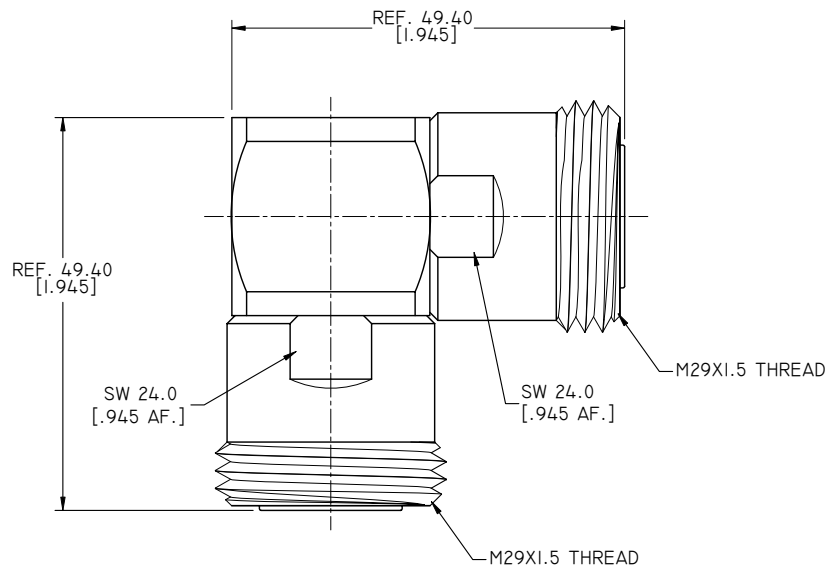
ELECTRICAL DATA:

- 1 IMPEDANCE: 50 OHMS
- 2 FREQUENCY RANGE: DC~6 GHZ
- 3 VSWR: 1.15 MAX. AT DC~3 GHZ  
1.25 MAX. AT 3~6 GHZ
- 4 WITHSTANDING VOLTAGE: 4000 VRMS MIN.
- 5. INTERMODULATION(3<sup>RD</sup> ORDER): <-155 DBC(2X43 DBM) AT 0.4~3 GHZ

MECHANICAL DATA:

- 1 NET WEIGHT: 215.7G

REVISIONS			
REV.	DESCRIPTION	DATE	APPROVED
A	INITIAL RELEASE	06/14/16	J. QU



DRAWN	X. B. YANG	DATE	06/14/16
CHECKED	L. YANG	DATE	06/14/16
APPROVED	J. QU	DATE	06/14/16
UNLESS OTHERWISE SPECIFIED DIMENSIONS ARE IN MILLIMETERS. DIMENSIONS IN [ ] ARE IN INCHES FOR CUSTOMER REFERENCE ONLY UNLESS OTHERWISE SPECIFIED TOLERANCE ARE:		THESE DRAWINGS AND SPECIFICATIONS ARE THE PROPERTY OF ANOISON ELECTRONICS LTD AND SHOULD NOT BE USED WITHOUT WRITTEN PERMISSION COPYRIGHT © 2016 ANOISON ELECTRONICS LTD	
.XX	±0.13 [.005"]		
.X	±0.20 [.008"]		
X	±0.50 [.019"]		
.X°	±1°		
X°	±2°		



TITLE  
ADAPTER, RIGHT ANGLE 7/16 FEMALE TO 7/16 FEMALE

VIEW	PART NO. ANO 562-562-2371		
SIZE A3	SCALE 1.5:1	SHEET 1/1	REV. A

4

3

2

1