

MATERIAL & FINISH:

- 1 BODY: BRASS, ALBALOY PLATED
- 2 CENTER CONTACT: PHOSPHOR BRONZE, SILVER PLATED
- 3 INSULATOR: PTFE
- 4 COUPLING NUT: BRASS, ALBALOY PLATED
- 5 GASKET: SILICONE RUBBER

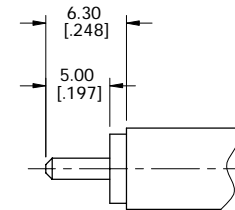
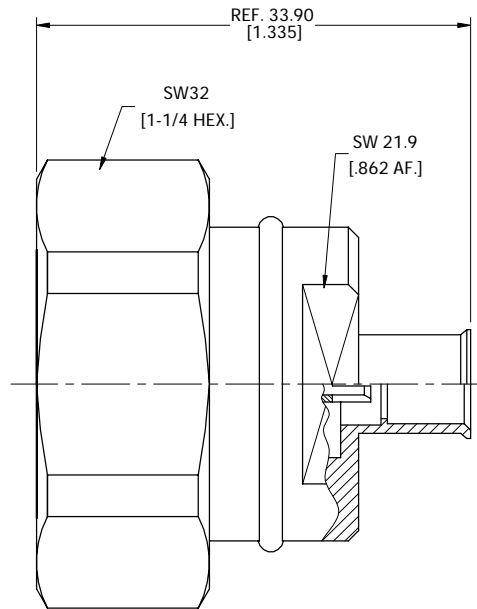
ELECTRICAL DATA:

- 1 IMPEDANCE: 50 Ω
- 2 FREQUENCY RANGE: DC-6 GHz
- 3 VSWR: 1.25 MAX.

ENVIRONMENTAL DATA:

- 1 TEMPERATURE RANGE: -55°C~+125°C
- 2 2011/65/EU(RoHS) AND 2015/863/(RoHS): COMPLIANT
- 3 1907/2006/EC(REACH): COMPLIANT

REVISIONS			
REV.	DESCRIPTION	DATE	APPROVED
A	INITIAL RELEASE	01/18/24	J. Q



CABLE STRIPPING DIMENSIONS

DRAWN	X. Y	DATE	01/18/24	
CHECKED	W. Y	DATE	01/18/24	
APPROVED	J. Q	DATE	01/18/24	
UNLESS OTHERWISE SPECIFIED DIMENSIONS ARE IN MILLIMETERS, DIMENSIONS IN [] ARE IN INCHES FOR CUSTOMER REFERENCE ONLY UNLESS OTHERWISE SPECIFIED TOLERANCE ARE:		THESE DRAWINGS AND SPECIFICATIONS ARE THE PROPERTY OF ANOISON ELECTRONICS LTD AND SHOULD NOT BE USED WITHOUT WRITTEN PERMISSION COPYRIGHT © 2024 ANOISON ELECTRONICS LTD		
	XX	±0.13 [005"]	TITLE 7/16 STRAIGHT MALE SOLDER FOR SR250 CABLE CAPTIVATED CONTACT	
	X	±0.20 [008"]		
	X	±0.50 [019"]		
	X°	±1°		
	X°	±2°		
VIEW			PART NO. ANO 5611-2017	
SIZE	A3	SCALE	2.5:1	SHEET 1/1
				REV. A