

MATERIAL & FINISH:

1. BODY: BRASS, ALBALOY PLATED
2. CENTER CONTACT: PHOSPHOR BRONZE, GOLD PLATED
3. INSULATOR: PTFE
4. FASTENING NUT: BRASS, NICKEL PLATED

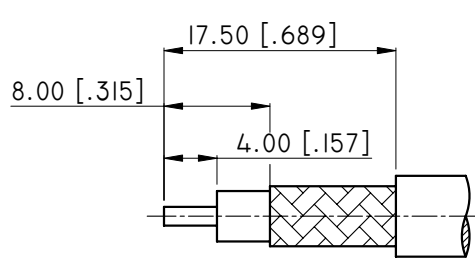
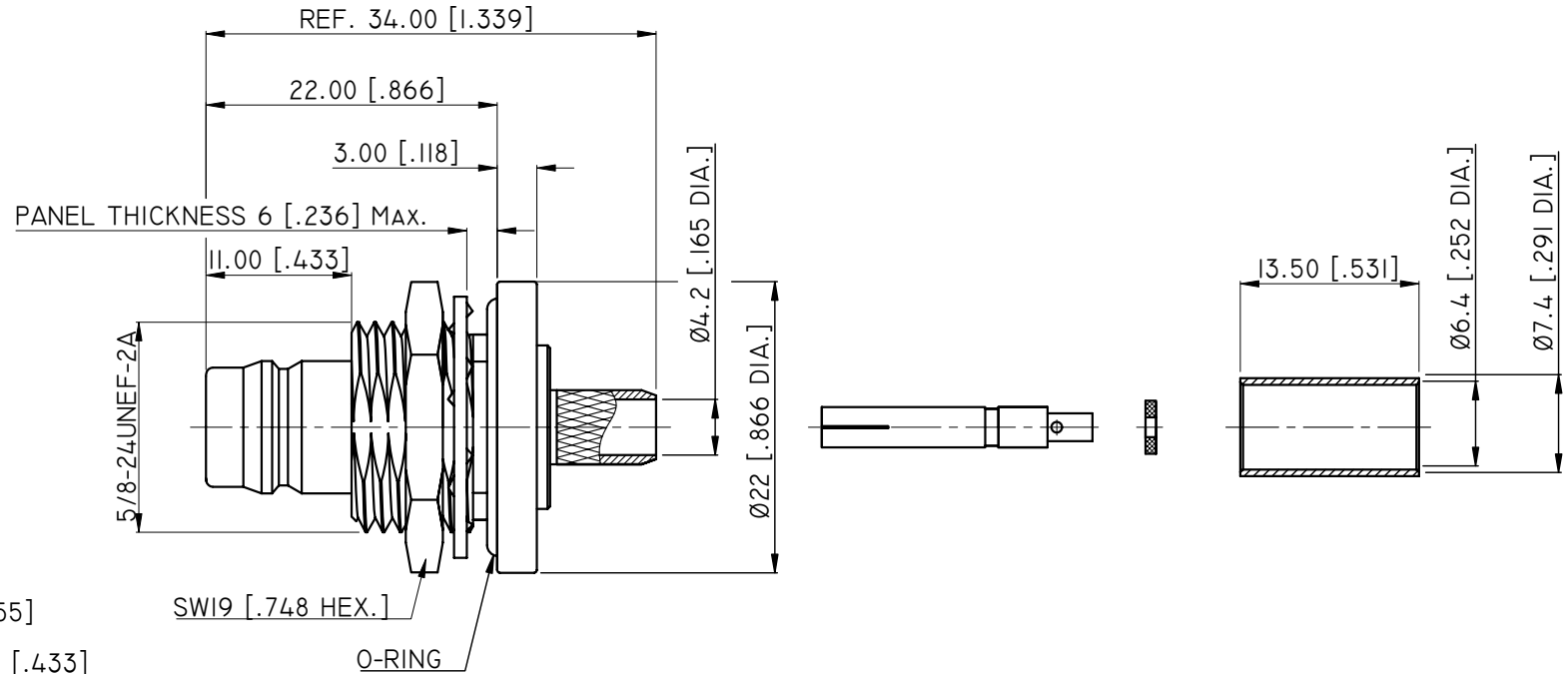
ENVIRONMENTAL DATA:

1. TEMPERATURE RANGE: -55°C~+125°C
2. 2002/95/EC (RoHS): COMPLIANT

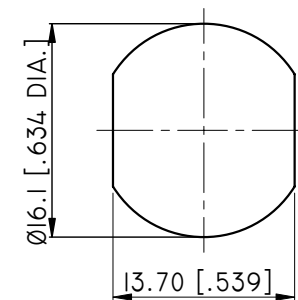
ELECTRICAL SPECIFICATIONS:

1. IMPEDANCE: 50 Ω
2. FREQUENCY RANGE: DC~6GHZ
3. VSWR: 1.30 MAX

REVISIONS			
REV.	DESCRIPTION	DATE	APPROVED
A	INITIAL RELEASE	07/02/13	J. QU
B	OUTLINE DRAWING CHANGED	08/30/13	J. QU



CABLE STRIPPING DIMENSIONS



RECOMMENDED MOUNTING HOLE

DRAWN	L. YANG	DATE	08/30/13
CHECKED	X. B. YANG	DATE	08/30/13
APPROVED	J. QU	DATE	08/30/13
UNLESS OTHERWISE SPECIFIED DIMENSIONS ARE IN MILLIMETERS, DIMENSIONS IN [] ARE IN INCHES FOR CUSTOMER REFERENCE ONLY UNLESS OTHERWISE SPECIFIED TOLERANCE ARE:		THESE DRAWINGS AND SPECIFICATIONS ARE THE PROPERTY OF ANOISON ELECTRONICS LTD AND SHOULD NOT BE USED WITHOUT WRITTEN PERMISSION COPYRIGHT © 2013 ANOISON	
.XX	±0.13 [.005"]		
.X	±0.20 [.008"]		
X	±0.50 [.019"]		
.X°	±1°		
X°	±2°		



TITLE			
HPQN STRAIGHT FEMALE BULKHEAD WATERPROOF FOR LMR240 CABLE			
VIEW		PART NO.	
		ANO 5312-1044	
SIZE	SCALE	SHEET	REV.
A3	2.5:1	1/1	B