

MATERIAL & FINISH:

- 1 BODY: BRASS, NICKEL PLATED
- 2 RADIATOR: ALUMINIUM, BLACK
- 3 INSULATOR: PTFE

ENVIRONMENTAL DATA:

- 1 TEMPERATURE RANGE: -55°C~+125°C
- 2 2011/65/EU(RoHS) AND 2015/863/(RoHS): COMPLIANT
- 3 1907/2006/EC(REACH) AND 1999/45/EC(REACH): COMPLIANT

MECHANICAL DATA:

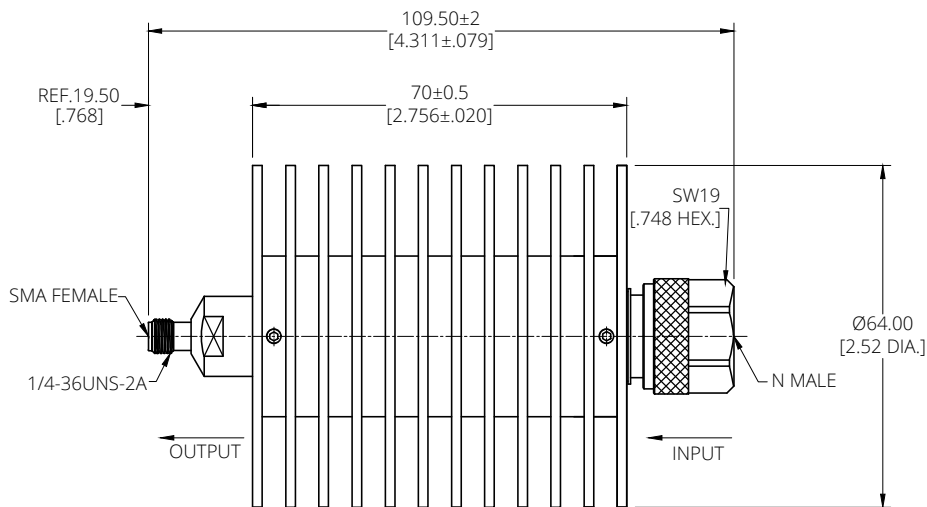
- 1 WEIGHT: 360g

ELECTRICAL DATA:

- 1 IMPEDANCE: 50 Ω
- 2 FREQUENCY RANGE: DC-18 GHz
- 3 VSWR: 1.45 MAX.
- 4 AVERAGE POWER: MAXIMUM POWER 50 WATTS AVERAGE TO 25°C AMBIENT TEMPERATURE, DERATED LINEARLY TO 5W @ 115°C
- 5 PEAK POWER: MAXIMUM POWER 500 W (5μS PULSE WIDTH WITH THE MAXIMUM 5% DUTY CYCLE)
- 6 ATTENUATOR ACCURACY: SEE TABLE

REVISIONS

REV.	DESCRIPTION	DATE	APPROVED
A	INITIAL RELEASE	11/24/25	J. Q



TABLE

ANO P/N	ATTENUATION VALUES & ACCURACY			
	1~10 dB	20 dB	30 dB	40~50 dB
ANO 5121-5001-XX	±0.8 dB	±0.9 dB	±1.1 dB	±1.2 ~ ±1.3

NOTE: XX REFER TO ATTENUATION VALUE IN dB

DRAWN	Y. H	DATE	11/24/25
CHECKED	P. C	DATE	11/24/25
APPROVED	J. Q	DATE	11/24/25
UNLESS OTHERWISE SPECIFIED DIMENSIONS ARE IN MILLIMETERS, DIMENSIONS IN [ ] ARE IN INCHES FOR CUSTOMER REFERENCE ONLY UNLESS OTHERWISE SPECIFIED TOLERANCE ARE:		THESE DRAWINGS AND SPECIFICATIONS ARE THE PROPERTY OF ANOISON ELECTRONICS LTD AND SHOULD NOT BE USED WITHOUT WRITTEN PERMISSION COPYRIGHT © 2025 ANOISON ELECTRONICS LTD	
	.XX	±0.13 [.005"]	
	.X	±0.25 [.010"]	
	X	±0.50 [.019"]	
	X*	±1°	
	X*	±2°	



TITLE			
ATTENUATOR, N MALE TO SMA FEMALE 50W UNI DIRECTIONAL, DC-18GHz			
VIEW	PART NO.		
	ANO 5121-5001-XX		
SIZE	SCALE	SHEET	REV.
A3	1:1	1/1	A