

4

3

2

1

MATERIAL & FINISH

- 1 BODY: BRASS, NICKEL
- 2 CENTER CONTACT: PHOSPHOR BRONZE, SEE TABLE
- 3 FASTENING NUT: BRASS, NICKEL
- 4 INSULATOR: PTFE
- 5 GASKET: SILICONE RUBBER
- 6 COUPLING NUT: BRASS, NICKEL
- 7 RETAINING RING: PHOSPHOR BRONZE, UNPLATED

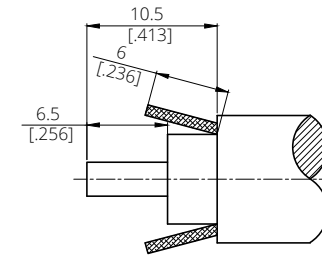
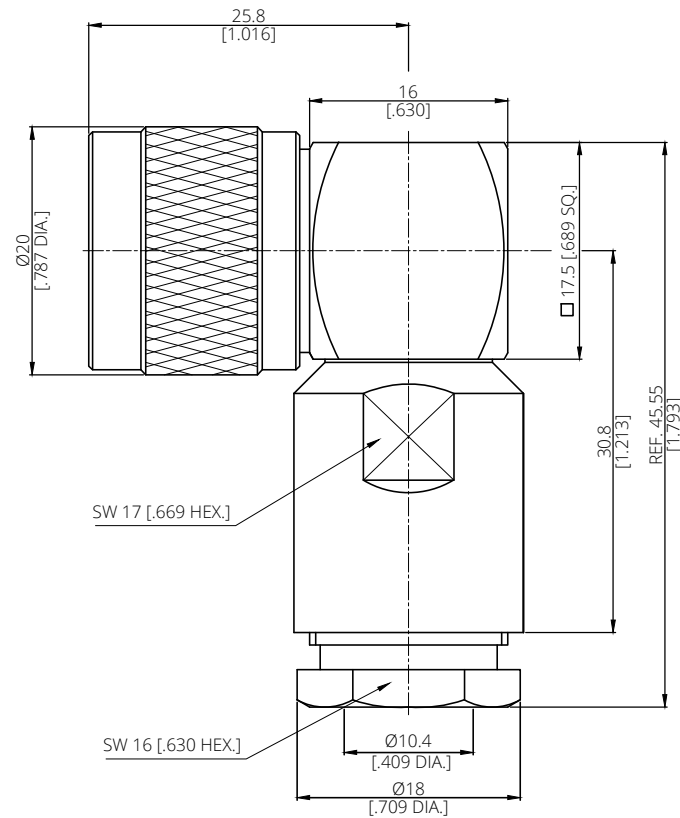
ELECTRICAL DATA:

- 1 IMPEDANCE: 50 Ω
- 2 FREQUENCY RANGE: DC-3 GHz
- 3 VSWR: 1.35 MAX.

ENVIRONMENTAL DATA:

- 1 TEMPERATURE RANGE: -55°C~+125°C
- 2 2011/65/EU (RoHS): COMPLIANT

REVISIONS			
REV.	DESCRIPTION	DATE	APPROVED
A	INITIAL RELEASE	05/09/09	J. Q
D	FORMAT CHANGED	03/11/25	J. Q



CABLE STRIPPING DIMENSIONS

PART	FINISH	PART NUMBER
CENTER CONTACT	GOLD	ANO 5121-2040-1
CENTER CONTACT	SILVER	ANO 5121-2040-2

DRAWN	Y. H	DATE	03/11/25
CHECKED	L. Y	DATE	03/11/25
APPROVED	J. Q	DATE	03/11/25

UNLESS OTHERWISE SPECIFIED DIMENSIONS ARE IN MILLIMETERS, DIMENSIONS IN [] ARE IN INCHES FOR CUSTOMER REFERENCE ONLY UNLESS OTHERWISE SPECIFIED TOLERANCE ARE:

.XX	±0.13 [0.005"]
.X	±0.20 [0.008"]
X	±0.50 [0.019"]
X°	±1°
X"	±2°

THESE DRAWINGS AND SPECIFICATIONS ARE THE PROPERTY OF ANOISON ELECTRONICS LTD AND SHOULD NOT BE USED WITHOUT WRITTEN PERMISSION COPYRIGHT © 2025 ANOISON ELECTRONICS LTD

TITLE

N RIGHT ANGLE MALE CLAMP FOR LMR400/RG8 CABLE

VIEW



PART NO.

ANO 5121-2040

SIZE
A3SCALE
2.5:1SHEET
1/1REV.
D