

4

3

2

1

MATERIAL & FINISH:

- 1 BODY: BRASS, ALBALOY PLATED
- 2 CENTER CONTACT: PHOSPHOR BRONZE, SILVER PLATED
- 3 RETAINING RING: BERYLLIUM COPPER ALLOY, UNPLATED
- 4 COUPLING NUT: BRASS, ALBALOY PLATED
- 5 INSULATOR: PTFE
- 6 GASKET: SILICONE RUBBER

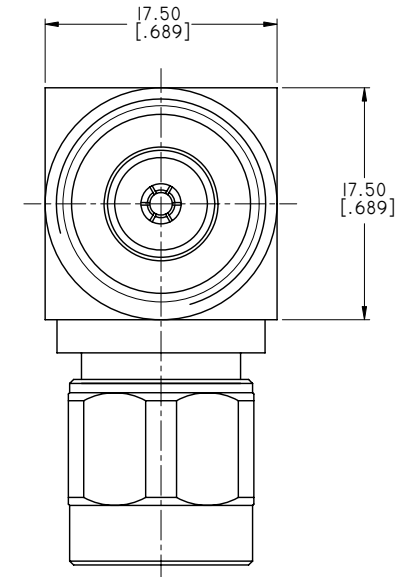
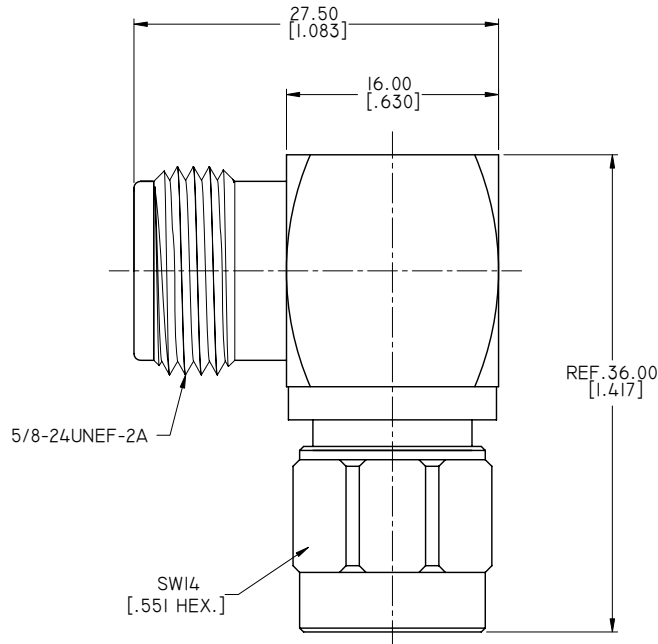
ENVIRONMENTAL DATA:

- 1. TEMPERATURE RANGE: -55°C~+125°C
- 2. 2011/65/EU (RoHS): COMPLIANT

ELECTRICAL DATA:

- 1 IMPEDANCE: 50 Ω
- 2 FREQUENCY RANGE: DC~6 GHZ
- 3 VSWR: 1.25 MAX.
- 4 INSERTION LOSS: 0.80 DB MAX.
- 5 INSULATION RES: 5000 MEGOHMS MAX.
- 6 DIELECTRIC WITHSTANDING VOLTAGE: 1500 V MAX.
- 7 PIM3: <-130 DBC(2X43 DBM) AT 0.4~4 GHZ

REVISIONS			
REV.	DESCRIPTION	DATE	APPROVED
A	INITIAL RELEASE	09/29/17	J. QU



DRAWN	X. B. YANG	DATE	09/29/17
CHECKED	W. YANG	DATE	09/29/17
APPROVED	J. QU	DATE	09/29/17
UNLESS OTHERWISE SPECIFIED DIMENSIONS ARE IN MILLIMETERS. DIMENSIONS IN [] ARE IN INCHES FOR CUSTOMER REFERENCE ONLY UNLESS OTHERWISE SPECIFIED TOLERANCE ARE:		THESE DRAWINGS AND SPECIFICATIONS ARE THE PROPERTY OF ANOISON ELECTRONICS LTD AND SHOULD NOT BE USED WITHOUT WRITTEN PERMISSION COPYRIGHT © 2017 ANOISON ELECTRONICS LTD	
.xxx	±0.15 [.006"]		
.xx	±0.25 [.01"]		
.x	±0.50 [.019"]		
.x°	±1°		
x°	±2°		



TITLE			
ADAPTER, RIGHT ANGLE, N FEMALE TO TNC MALE			
VIEW	PART NO.		
	ANO 512-331-2423		
SIZE	SCALE	SHEET	REV.
A3	2.5:1	I/1	A

4

3

2

1