

MATERIAL & FINISH:

- 1 BODY: BRASS, ALBALOY PLATED
- 2 CENTER CONTACT: PHOSPHOR BRONZE, GOLD PLATED
- 3 INSULATOR: PTFE

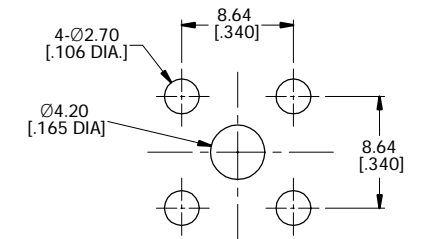
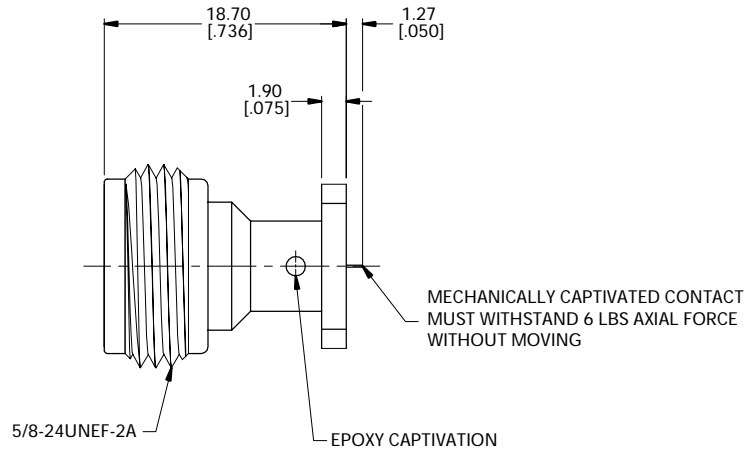
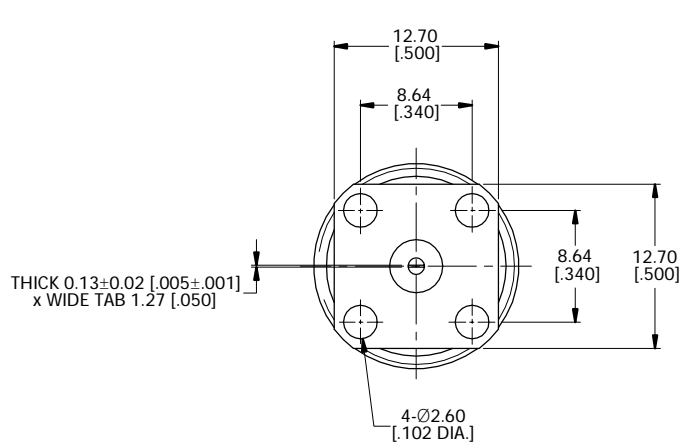
ELECTRICAL DATA:

- 1 IMPEDANCE: 50 Ω
- 2 FREQUENCY RANGE: DC~11 GHz

ENVIRONMENTAL DATA:

- 1 TEMPERATURE RANGE: -55°C ~ +125°C
- 2 2011/65/EU(RoHS) AND 2015/863/(RoHS): COMPLIANT
- 3 1907/2006/EC(REACH): COMPLIANT

REVISIONS			
REV.	DESCRIPTION	DATE	APPROVED
A	INITIAL RELEASE	03/05/21	J. QU



DRAWN	X. B. YANG	DATE	03/05/21
CHECKED	W. YANG	DATE	03/05/21
APPROVED	J. QU	DATE	03/05/21
UNLESS OTHERWISE SPECIFIED DIMENSIONS ARE IN MILLIMETERS. DIMENSIONS IN [] ARE IN INCHES FOR CUSTOMER REFERENCE ONLY UNLESS OTHERWISE SPECIFIED TOLERANCE ARE:		THESE DRAWINGS AND SPECIFICATIONS ARE THE PROPERTY OF ANOISON ELECTRONICS LTD AND SHOULD NOT BE USED WITHOUT WRITTEN PERMISSION COPYRIGHT © 2021 ANOISON ELECTRONICS LTD	
	XX	±0.13 [0.005"]	
	.X	±0.20 [0.008"]	
	X	±0.50 [0.019"]	
	.X°	±1°	
	X°	±2°	



TITLE			
N FEMALE 4 HOLE 1/2 SQUARE FLANGE RECEPTACLE .005 THICK TAB CONTACT			
VIEW	PART NO.		
	ANO 5112-3351		
SIZE	SCALE	SHEET	REV.
A3	5:1	1/1	A