

MATERIAL & FINISH:

- 1 BODY: BRASS, ALBALOY PLATED
- 2 CENTER CONTACT: PHOSPHOR BRONZE, GOLD PLATED
- 3 INSULATOR: PTFE

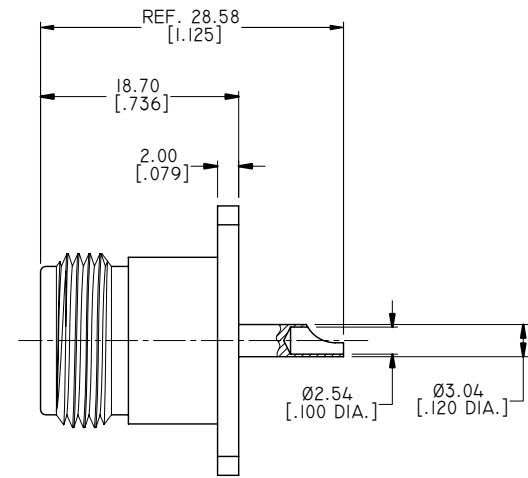
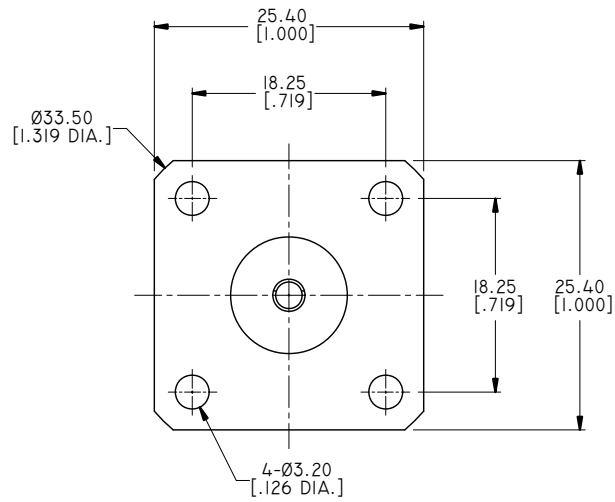
ELECTRICAL DATA:

- 1 IMPEDANCE: 50 Ω
- 2 FREQUENCY RANGE: DC~11 GHZ

ENVIRONMENTAL DATA:

- 1 TEMPERATURE RANGE: -55°C~+125°C
- 2 2011/65/EU (RoHS): COMPLIANT

REVISIONS			
REV.	DESCRIPTION	DATE	APPROVED
A	INITIAL RELEASE	07/31/14	J. QU
B	FREQUENCY RANGE CHANGED TO DC~11GHZ	08/02/14	J. QU



DRAWN	X. B. YANG	DATE	08/02/14
CHECKED	L. YANG	DATE	08/02/14
APPROVED	J. QU	DATE	08/02/14
UNLESS OTHERWISE SPECIFIED DIMENSIONS ARE IN MILLIMETERS. DIMENSIONS IN [] ARE IN INCHES FOR CUSTOMER REFERENCE ONLY UNLESS OTHERWISE SPECIFIED TOLERANCE ARE:		THESE DRAWINGS AND SPECIFICATIONS ARE THE PROPERTY OF ANOISON ELECTRONICS LTD AND SHOULD NOT BE USED WITHOUT WRITTEN PERMISSION COPYRIGHT © 2014 ANOISON ELECTRONICS LTD	
.XX	±0.13 [.005"]		
.X	±0.20 [.008"]		
X	±0.50 [.019"]		
.X°	±1°		
X°	±2°		

ANOISON
...we create connection for technologies

TITLE
N STRAIGHT FEMALE
4 HOLE FLANGE WITH SOLDER POT CONTACT

VIEW

PART NO. ANO 5112-3196

SIZE	SCALE	SHEET	REV.
A3	2:1	1/1	B

D
C
B
A

D
C
B
A

4

3

2

1

4

3

2

1