

**MATERIAL & FINISH:**

- 1 BODY: BRASS, NICKEL PLATED
- 2 CENTER CONTACT: PHOSPHOR BRONZE, GOLD PLATED
- 3 FASTENING NUT: BRASS, NICKEL PLATED
- 4 LOCK WASHER: PHOSPHOR BRONZE, NICKEL PLATED
- 5 INSULATOR: PTFE
- 6 O-RING: SILICONE RUBBER

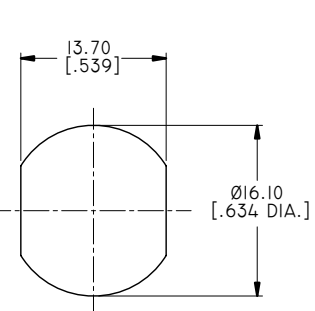
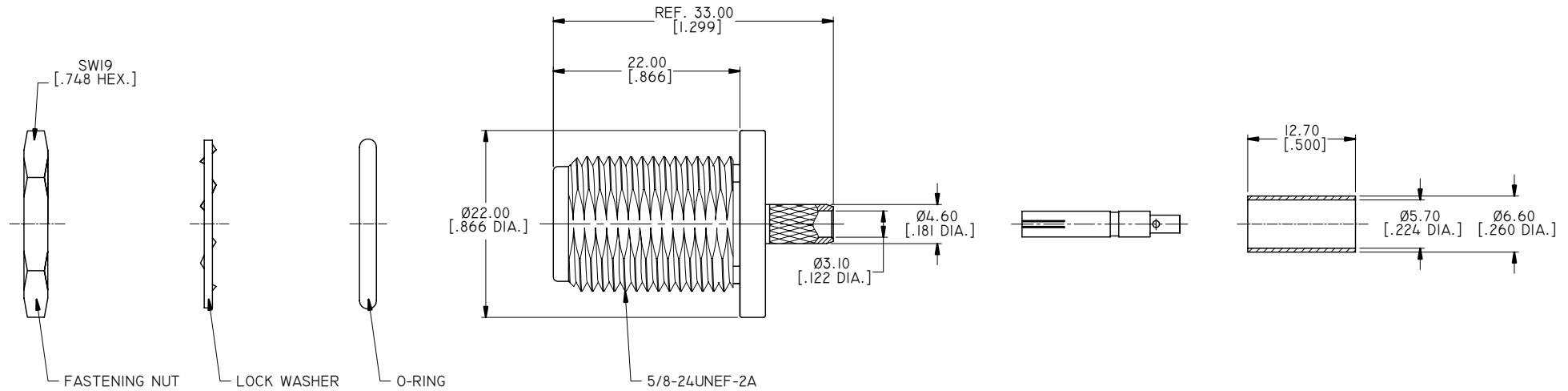
**ELECTRICAL DATA:**

- 1 IMPEDANCE: 50 Ω
- 2 FREQUENCY RANGE: DC~6 GHz

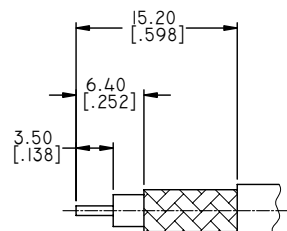
**ENVIRONMENTAL DATA:**

- 1 TEMPERATURE RANGE: -55°C~+155°C
- 2 2011/65/EU (RoHS): COMPLIANT

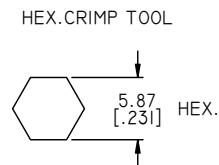
REVISIONS			
REV.	DESCRIPTION	DATE	APPROVED
A	INITIAL RELEASE	02/01/18	J. QU



RECOMMENDED MOUNTING HOLE



CABLE STRIPPING DIMENSIONS



HEX.CRIMP TOOL  
CRIMP WIDTH: 10 [.394]

DRAWN	W. YANG	DATE	02/01/18
CHECKED	L. YANG	DATE	02/01/18
APPROVED	J. QU	DATE	02/01/18
UNLESS OTHERWISE SPECIFIED DIMENSIONS ARE IN MILLIMETERS. DIMENSIONS IN [ ] ARE IN INCHES FOR CUSTOMER REFERENCE ONLY UNLESS OTHERWISE SPECIFIED TOLERANCE ARE:		THESE DRAWINGS AND SPECIFICATIONS ARE THE PROPERTY OF ANOISON ELECTRONICS LTD AND SHOULD NOT BE USED WITHOUT WRITTEN PERMISSION COPYRIGHT © 2018 ANOISON ELECTRONICS LTD	
.XX	±0.13 [.005"]		
.X	±0.20 [.008"]		
X	±0.50 [.019"]		
.X°	±1°		
X°	±2°		



TITLE  
N STRAIGHT BULKHEAD FEMALE CRIMP FOR RG142 CABLE

VIEW	PART NO. ANO 5112-1160			
	SIZE	SCALE	SHEET	REV.
	A3	2:1	1/1	A