

4

3

2

1

| REVISIONS | | | |
|-----------|-----------------|----------|----------|
| REV. | DESCRIPTION | DATE | APPROVED |
| A | INITIAL RELEASE | 07/31/24 | J. QU |
| | | | |

MATERIAL & FINISH:

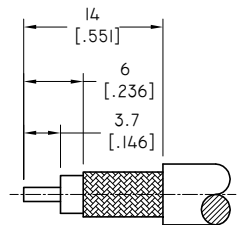
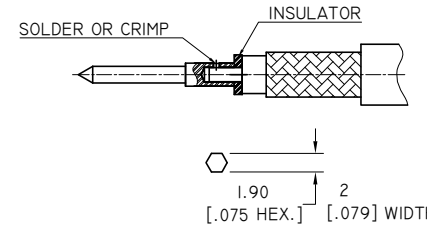
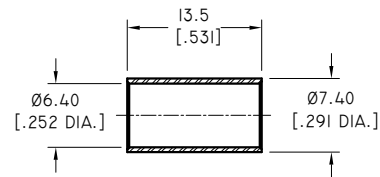
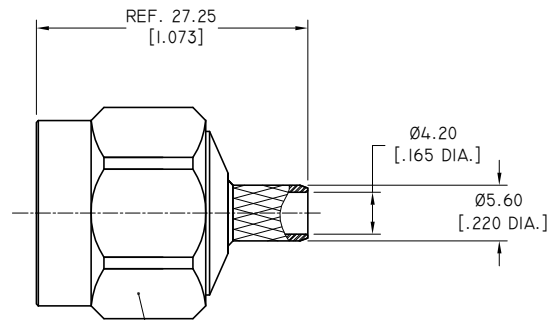
- 1 BODY: BRASS, ALBALOY PLATED
- 2 CENTER CONTACT: BRASS, GOLD PLATED
- 3 INSULATOR: PTFE
- 4 COUPLING NUT: BRASS, ALBALOY PLATED
- 5 GASKET: SILICONE RUBBER

ELECTRICAL DATA:

- 1 IMPEDANCE: 50 Ω
- 2 WITHSTAND VOLTAGE: 2500 V MAX.
- 3 FREQUENCY RANGE: DC-6 GHz
- 4 VSWR: 1.15 MAX. AT DC-3 GHz
1.30 MAX. AT 3-6 GHz

ENVIRONMENTAL DATA:

- 1 TEMPERATURE RANGE: -55 °C ~ +125 °C
- 2 2011/65/EU (RoHS): COMPLIANT



CABLE STRIPPING DIMENSIONS

CRIMP DIE

| | | | |
|---|---------------|--|----------|
| DRAWN | P. CHEN | DATE | 07/31/24 |
| CHECKED | L. YANG | DATE | 07/31/24 |
| APPROVED | J. QU | DATE | 07/31/24 |
| UNLESS OTHERWISE SPECIFIED DIMENSIONS ARE IN MILLIMETERS, DIMENSIONS IN [] ARE IN INCHES FOR CUSTOMER REFERENCE ONLY UNLESS OTHERWISE SPECIFIED TOLERANCE ARE: | | THESE DRAWINGS AND SPECIFICATIONS ARE THE PROPERTY OF ANOISON ELECTRONICS LTD AND SHOULD NOT BE USED WITHOUT WRITTEN PERMISSION COPYRIGHT © 2024 ANOISON ELECTRONICS LTD | |
| .XX | ±0.13 [.005"] | | |
| .X | ±0.20 [.008"] | | |
| X° | ±0.50 [.019"] | | |
| X° | ±1° | | |
| X° | ±2° | | |



| | | | |
|--|-----------------|-------|------|
| TITLE | | | |
| N STRAIGHT MALE CRIMP FOR LMR240 CABLE | | | |
| VIEW | PART NO. | | |
| | ANO 5111-2235-1 | | |
| SIZE | SCALE | SHEET | REV. |
| A3 | 2:1 | 1/1 | A |

4

3

2

1