

**MATERIAL & FINISH:**

- 1 BODY: BRASS, ALBALOY PLATED
- 2 RADIATOR: ALUMINIUM, BLACK

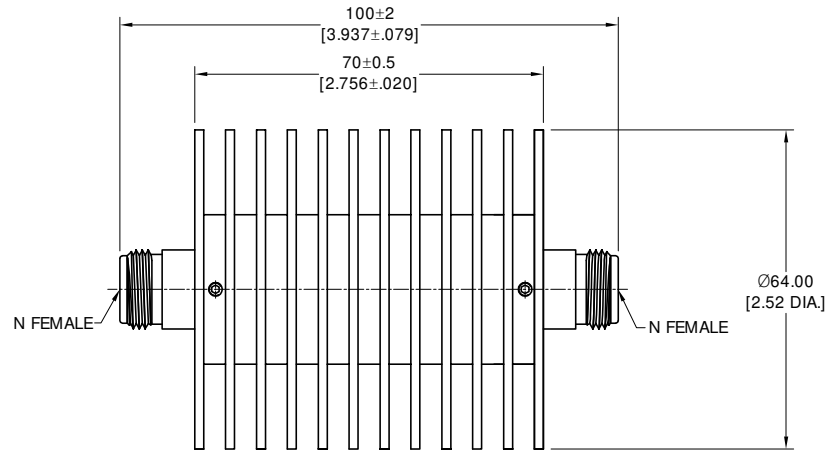
**ENVIRONMENTAL DATA:**

- 1 TEMPERATURE RANGE: -55 °C ~ +125 °C
- 2 2011/65/EU (RoHS) AND 2015/863/ (RoHS): COMPLIANT
- 3 REACH SVHC247: COMPLIANT

**ELECTRICAL DATA:**

- 1 IMPEDANCE: 50 Ω
- 2 FREQUENCY RANGE: DC-4 GHz
- 3 VSWR: 1.20 MAX.
- 4 AVERAGE POWER: 50 WATTS AVERAGE TO 25°C AMBIENT TEMPERATRUE, DERATED LINEARLY TO 5W @ 125°C
- 5 PEAK POWER: 2.5K W (5μS PLUSE WIDTH WITH 2% DUTY CYCLE)
- 6 ATTENUATOR ACCURACY: SEE TABLE

REVISIONS			
REV.	DESCRIPTION	DATE	APPROVED
A	INITIAL RELEASE	12/12/25	J Q



TABLE

PART NO.	ATTENUATION VALUES & ACCURACY			
	1~10 dB	20 dB	30 dB	40~50 dB
ANO 51-5017-XX	±0.4 dB	±0.5 dB	±0.7 dB	±0.7 dB

NOTE: XX REFER TO ATTENUATION VALUE IN dB

DRAWN P. C	DATE 12/12/25	
CHECKED Y. H	DATE 12/12/25	
APPROVED J Q	DATE 12/12/25	
<small>UNLESS OTHERWISE SPECIFIED DIMENSIONS ARE IN MILLIMETERS, DIMENSIONS IN [ ] ARE IN INCHES FOR CUSTOMER REFERENCE ONLY UNLESS OTHERWISE SPECIFIED TOLERANCE ARE:</small>		<small>THESE DRAWINGS AND SPECIFICATIONS ARE THE PROPERTY OF ANOISON ELECTRONICS LTD AND SHOULD NOT BE USED WITHOUT WRITTEN PERMISSION COPYRIGHT © 2025 ANOISON ELECTRONICS LTD</small>
<small>XX ±0.13 [.005"] .X ±0.25 [.010"] X ±0.50 [.019"] .X° ±1° X° ±2°</small>		<b>TITLE</b> ATTENUATOR, N FEMALE TO N FEMALE 50W BIDIRECTIONAL, DC-4GHz
<small>VIEW</small> 		<b>PART NO.</b> ANO 51-5017-XX
<small>SIZE</small> A3	<small>SCALE</small> 1:1	<small>SHEET</small> 1/1 <small>REV.</small> A