

4

3

2

1

**MATERIAL & FINISH**

- 1 CONNECTOR BODY: BRASS, NICKEL PLATING
- 2 CENTER CONTACT: BRONZE, SILVER PLATED
- 3 INSULATOR: PTFE
- 4 RADIATOR: ALUMINIUM, BLACK

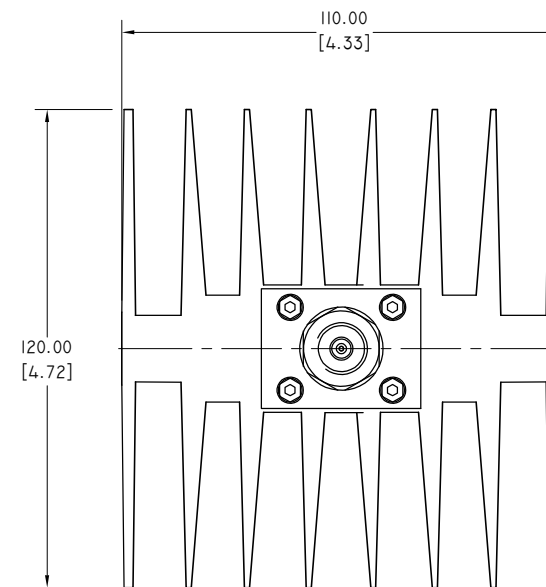
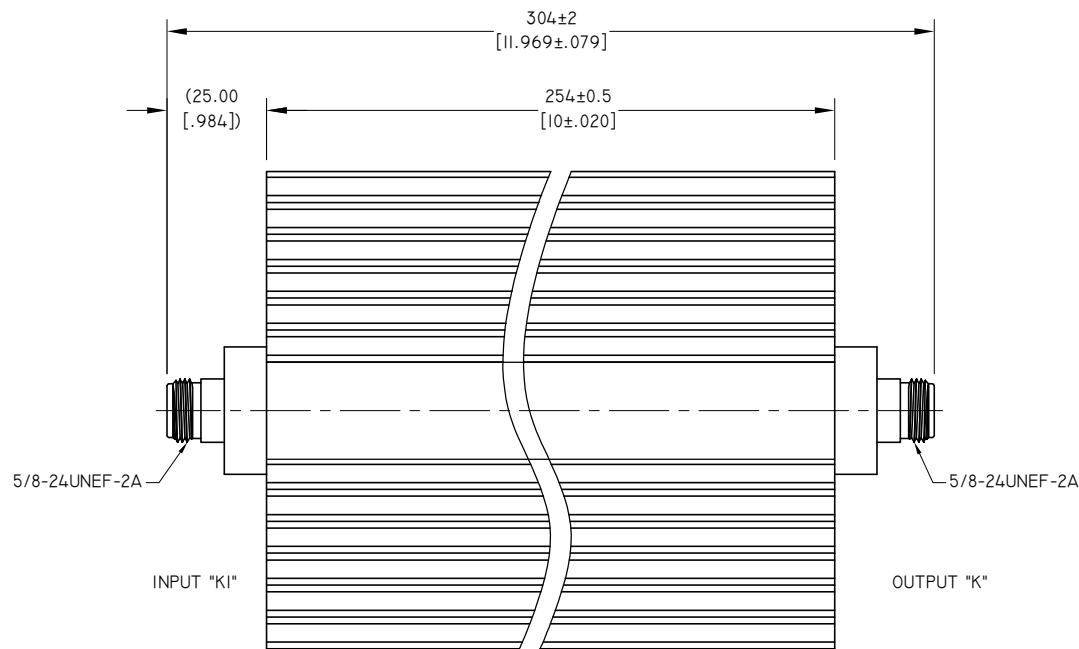
**ENVIRONMENTAL DATA:**

- 1 OPERATING TEMPERATURE RANGE: -55°C~+125°C
- 2 2015/863/(RoHS): COMPLIANT
- 3 1999/2006/EC(REACH) AND 1999/45/EC(REACH): COMPLIANT

**ELECTRICAL DATA:**

- 1 IMPEDANCE: 50 Ω
- 2 FREQUENCY RANGE: DC~8 GHz
- 3 VSWR: 1.25 MAX.
- 4 AVERAGE POWER: 250 WATTS AVERAGE TO 25°C AMBIENT TEMPERATURE, DERATED LINEARLY TO 25W @ 100°C
- 5 PEAK POWER: MAXIMUM POWER 1 KW (5μS PULSE WIDTH WITH THE MAXIMUM 5% DUTY CYCLE)

REVISIONS			
REV.	DESCRIPTION	DATE	APPROVED
A	INITIAL RELEASE	10/27/25	J. Q



PART NO. ANO 51-25003-XX	ATTENUATION VALUES & ACCURACY					
	10 DB	20 DB	30 DB	40 DB	50 DB	60 DB
	±0.8 DB	±0.8 DB	±0.9 DB	±0.9 DB	±0.9 DB	±0.9 DB

NOTE: XX REFER TO ATTENUATION VALUE IN DB

DRAWN	W. Y	DATE	10/27/25
CHECKED	X. Y	DATE	10/27/25
APPROVED	J. Q	DATE	10/27/25
UNLESS OTHERWISE SPECIFIED DIMENSIONS ARE IN MILLIMETERS, DIMENSIONS IN [ ] ARE IN INCHES FOR CUSTOMER REFERENCE ONLY UNLESS OTHERWISE SPECIFIED TOLERANCE ARE:		THESE DRAWINGS AND SPECIFICATIONS ARE THE PROPERTY OF ANOISON ELECTRONICS LTD AND SHOULD NOT BE USED WITHOUT WRITTEN PERMISSION COPYRIGHT © 2025 ANOISON ELECTRONICS LTD	
	.XX	±0.13	[.005"]
	.X	±0.20	[.008"]
	X	±0.50	[.019"]
	X°	±1°	
	X"	±2°	



TITLE			
ATTENUATOR, N FEMALE TO FEMALE 250 WATTS UNI DIRECTIONAL, DC~8GHZ			
VIEW	PART NO. ANO 51-25003-XX		
	SIZE A3	SCALE 1:1	SHEET 1/1
			REV. A

4

3

2

1