

4

3

2

1

MATERIAL & FINISH:

- 1 BODY: BRASS, NICKEL PLATED
- 2 RADIATOR: ALUMINIUM, BLACK

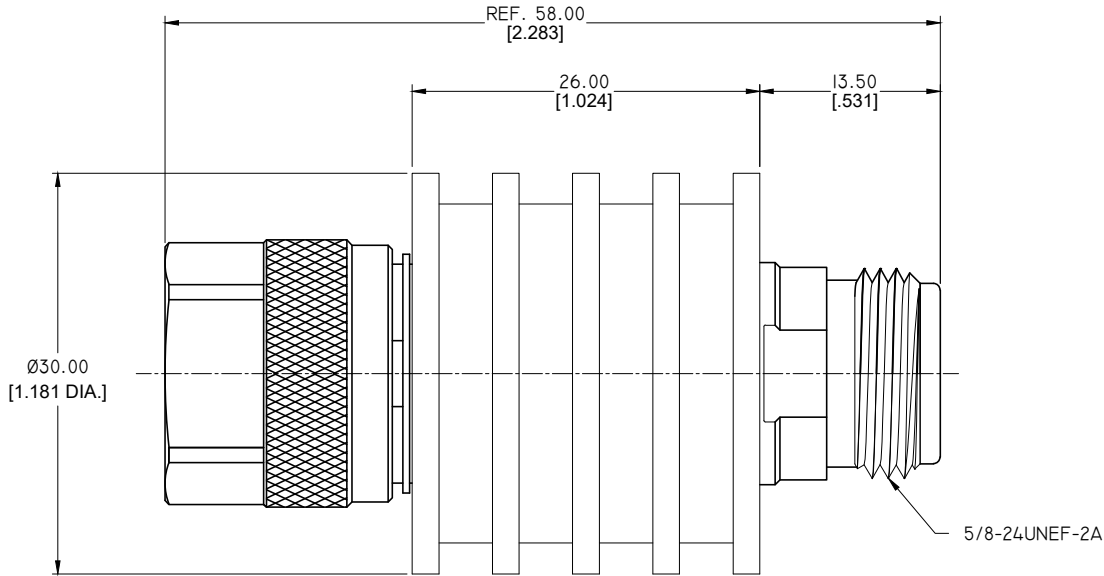
ELECTRICAL DATA:

- 1 IMPEDANCE: 50 Ω
- 2 FREQUENCY RANGE: DC-6GHz
- 3 VSWR: 1.25 MAX.
- 4 AVERAGE POWER: MAXIMUM POWER 10 WATTS AVERAGE TO 25°C AMBIENT TEMPERATURE, DERATED LINEARLY TO 1W @ 125°C
- 5 PEAK POWER: MAXIMUM POWER 100 W (5μS PULSE WIDTH WITH THE MAXIMUM 5% DUTY CYCLE)
- 6 ATTENUATOR ACCURACY: SEE TABLE

ENVIRONMENTAL DATA:

- 1 TEMPERATURE RANGE: -55°C~+125°C
- 2 2011/65/EU(RoHS) AND 2015/863/(RoHS): COMPLIANT
- 3 1907/2006/EC(REACH) AND 1999/45/EC(REACH): COMPLIANT

| REVISIONS |                         |          |          |
|-----------|-------------------------|----------|----------|
| REV.      | DESCRIPTION             | DATE     | APPROVED |
| A         | INITIAL RELEASE         | 01/17/22 | J. QU    |
| B         | OUTLINE DRAWING CHANGED | 01/21/22 | J. QU    |
| C         | OUTLINE DRAWING CHANGED | 11/12/25 | J. QU    |



| PART NO.       | ATTENUATION VALUES & ACCURACY |          |          |         |         |         |
|----------------|-------------------------------|----------|----------|---------|---------|---------|
|                | 1~10 DB                       | 11~20 DB | 21~30 DB | 31~40DB | 41~50DB | 51~60DB |
| ANO 51-1004-XX | ±0.5 DB                       | ±0.6 DB  | ±0.8 DB  | ±0.8 DB | ±0.8 DB | ±1.0 DB |

NOTE: XX REFER TO ATTENUATION VALUE IN DB

|   |               |  |          |
|---|---------------|--|----------|
| DRAWN   | L. Y          | DATE   | 11/12/25 |
| CHECKED   | X. Y          | DATE   | 11/12/25 |
| APPROVED  | J. Q          | DATE   | 11/12/25 |
| UNLESS OTHERWISE SPECIFIED DIMENSIONS ARE IN MILLIMETERS. DIMENSIONS IN [ ] ARE IN INCHES FOR CUSTOMER REFERENCE ONLY UNLESS OTHERWISE SPECIFIED TOLERANCE ARE: |               | THESE DRAWINGS AND SPECIFICATIONS ARE THE PROPERTY OF ANOISON ELECTRONICS LTD AND SHOULD NOT BE USED WITHOUT WRITTEN PERMISSION COPYRIGHT © 2025 ANOISON ELECTRONICS LTD |          |
| .XX   | ±0.13 [.005"] |  |          |
| .X  | ±0.25 [.010"] |  |          |
| X   | ±0.50 [.019"] |  |          |
| .X°   | ±1°           |  |          |
| X°  | ±2°           |  |          |



TITLE  
ATTENUATOR N MALE TO N FEMALE 10 WATTS BIDIRECTIONAL, DC-6GHZ

|      |                            |              |              |           |
|------|----------------------------|--------------|--------------|-----------|
| VIEW | PART NO.<br>ANO 51-1004-XX |              |              |           |
|      | SIZE<br>A3                 | SCALE<br>5:1 | SHEET<br>1/1 | REV.<br>C |

4

3

2

1