

4

3

2

1

REVISIONS

REV.	DESCRIPTION	DATE	APPROVED
A	INITIAL RELEASE	01/16/24	J. Q

MATERIAL & FINISH

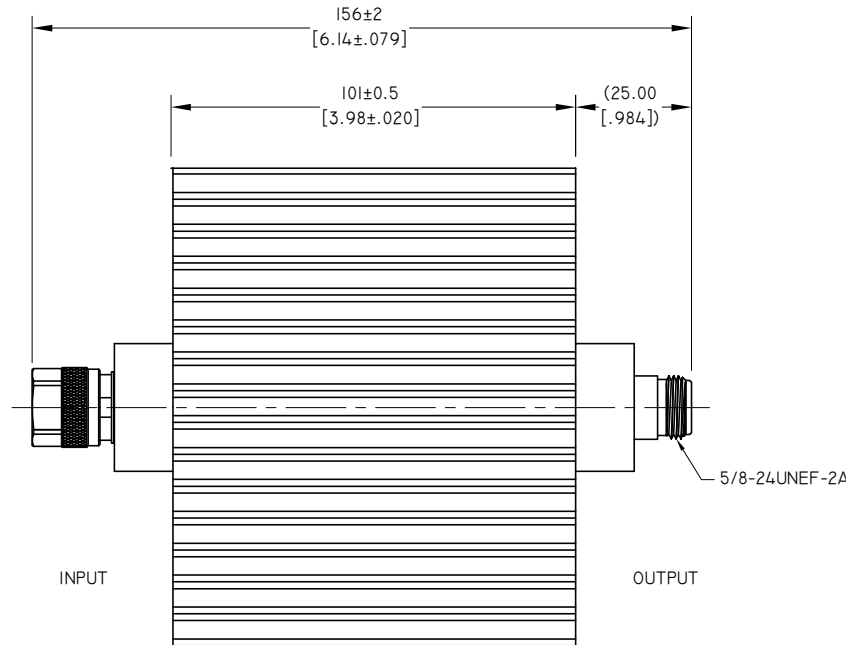
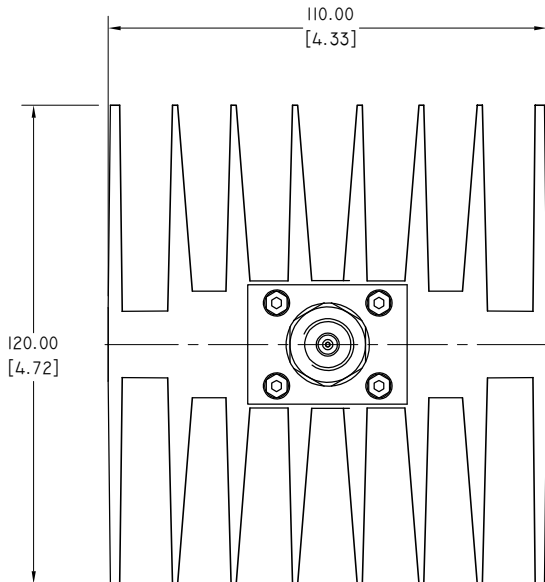
- 1 CONNECTOR BODY: BRASS, NICKEL PLATING
- 2 CENTER CONTACT: BRONZE, SILVER PLATED
- 3 INSULATOR: PTFE
- 4 RADIATOR: ALUMINIUM, BLACK

ELECTRICAL DATA:

- 1 IMPEDANCE: 50 Ω
- 2 FREQUENCY RANGE: DC-18 GHZ
- 3 VSWR: 1.45 MAX.
- 4 AVERAGE POWER: 100 WATTS AVERAGE TO 25°C AMBIENT TEMPRATRUE, DERATED LINEARLY TO 10W @ 100°C

ENVIRONMENTAL DATA:

- 1 OPERATING TEMPERATURE RANGE: -55°C~+100°C
- 2 2015/863/(RoHS): COMPLIANT
- 3 1907/2006/EC(REACH) AND 1999/45/EC(REACH): COMPLIANT



PART NO. ANO 51-10004-XX	ATTENUATION VALUES & ACCURACY				
	6-10 DB	20 DB	30 DB	40 DB	50-60 DB
±1.5 DB	±1.5 DB	±1.3 DB	±1.3 DB	±1.4 DB	

NOTE: XX REFER TO ATTENUATION VALUE IN DB

DRAWN	W. Y	DATE	01/16/24
CHECKED	X. Y	DATE	01/16/24
APPROVED	J. Q	DATE	01/16/24



UNLESS OTHERWISE SPECIFIED DIMENSIONS ARE IN MILLIMETERS, DIMENSIONS IN [] ARE IN INCHES FOR CUSTOMER REFERENCE ONLY UNLESS OTHERWISE SPECIFIED TOLERANCE ARE:

.XX	±0.13 [.005"]
.X	±0.20 [.008"]
X	±0.50 [.019"]
X*	±1*
X*	±2*

THESE DRAWINGS AND SPECIFICATIONS ARE THE PROPERTY OF ANOISON ELECTRONICS LTD AND SHOULD NOT BE USED WITHOUT WRITTEN PERMISSION COPYRIGHT © 2024 ANOISON ELECTRONICS LTD

TITLE ATTENUATOR, N MALE TO FEMALE 100 WATTS UNI DIRECTIONAL, DC~18GHZ			
VIEW	PART NO. ANO 51-10004-XX		
	SIZE A3	SCALE 1:1	SHEET 1/1
			REV. A

4

3

2

1