

**MATERIAL**

- 1 BODY: BRASS, GOLD PLATED
- 2 CENTER CONTACT: BERYLLIUM COPPER ALLOY, GOLD PLATED
- 3 COUPLING NUT: BRASS, GOLD PLATED
- 4 CAP: BRASS, GOLD PLATED
- 5 INSULATOR: PTFE

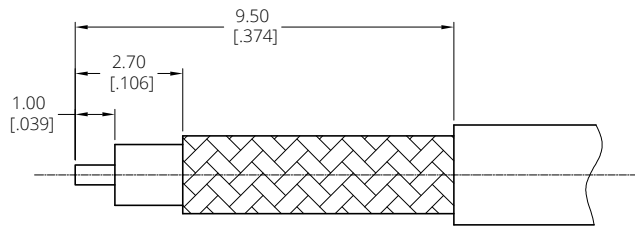
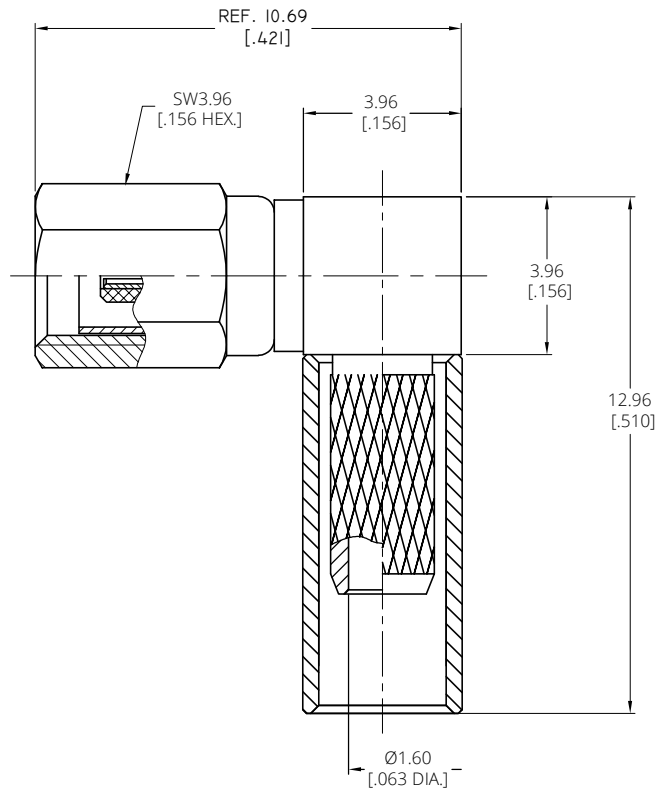
**ELECTRICAL DATA:**

- 1 IMPEDANCE: 50 OHMS
- 2 FREQUENCY RANGE: DC-6GHZ

**ENVIRONMENTAL DATA:**

- 1 TEMPERATURE RANGE: -55°C~+125°C
- 2 2015/863/(RoHS): COMPLIANT
- 3 1907/2006/EC(REACH) AND 1999/45/EC(REACH): COMPLIANT

REVISIONS			
REV.	DESCRIPTION	DATE	APPROVED
A	INITIAL RELEASE	04/07/23	J.Q



CABLE STRIPPING DIMENSIONS

DRAWN	W. Y	DATE	04/07/23
CHECKED	X. Y	DATE	04/07/23
APPROVED	J. Q	DATE	04/07/23
UNLESS OTHERWISE SPECIFIED DIMENSIONS ARE IN MILLIMETERS, DIMENSIONS IN [ ] ARE IN INCHES FOR CUSTOMER REFERENCE ONLY UNLESS OTHERWISE SPECIFIED TOLERANCE ARE:		THESE DRAWINGS AND SPECIFICATIONS ARE THE PROPERTY OF ANOISON ELECTRONICS LTD AND SHOULD NOT BE USED WITHOUT WRITTEN PERMISSION COPYRIGHT © 2023 ANOISON ELECTRONICS LTD	
XX	±0.13 [.005"]		
X	±0.20 [.008"]		
X	±0.50 [.019"]		
X"	±1°		
X"	±2°		



TITLE			
SSMC RIGHT ANGLE FEMALE PLUG CRIMP FOR RG316/RG174/RG188 CALBE			
VIEW		PART NO.	
		ANO 4821-2009	
SIZE	SCALE	SHEET	REV.
A3	5:1	1/1	A